

## ELITE

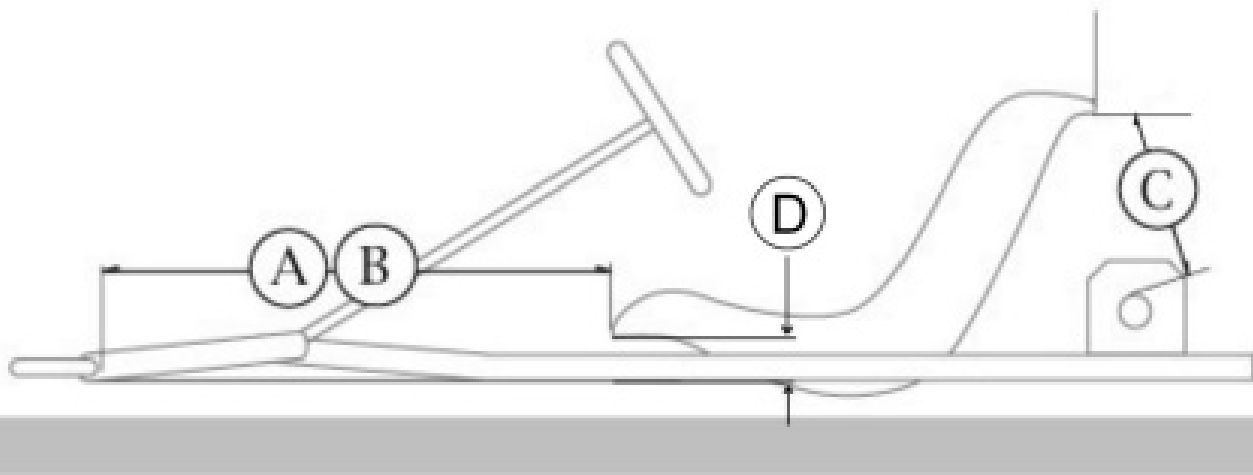
SKM Seat

Ⓐ — 24 5/8"

Ⓑ — 24 3/4"

Ⓒ\* — 7 3/4 - 8"

Ⓓ\*\* — 3 3/4"

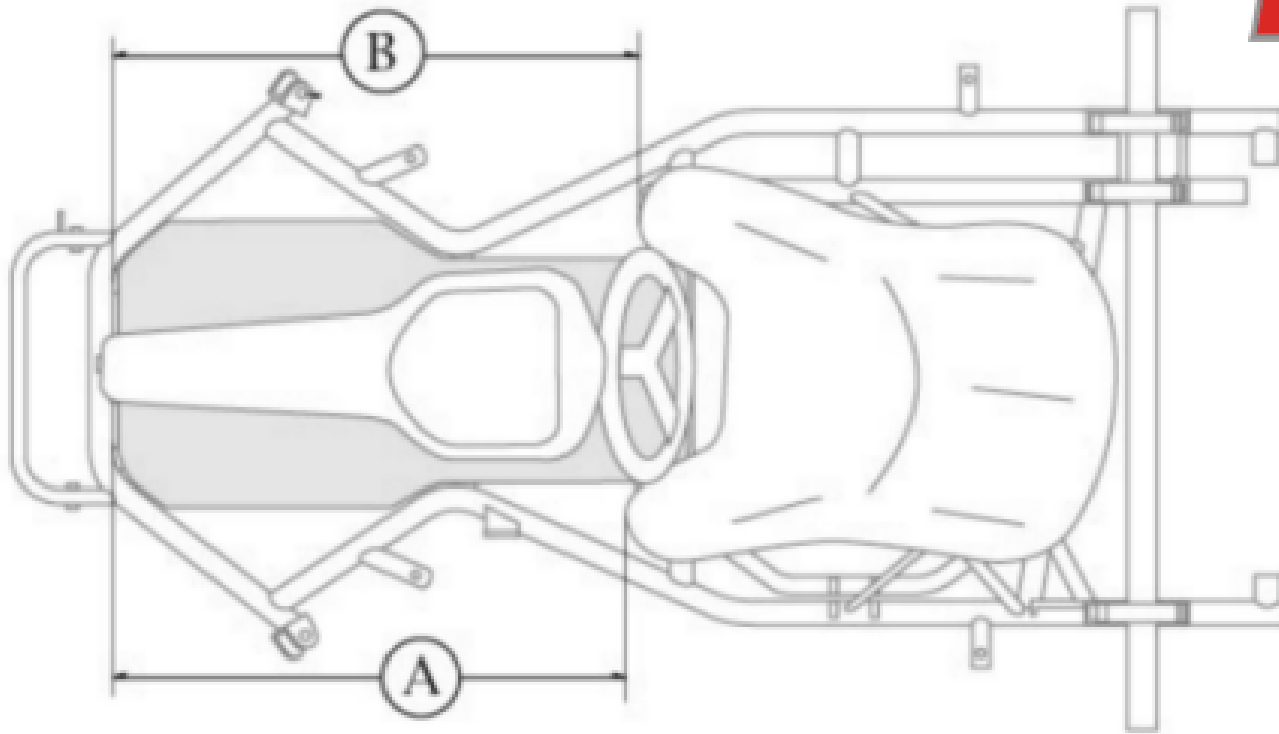


*These measurements are a baseline for #2 seat and a driver of average height. Measurements may vary with different seat sizes or different driver heights. All attempts should be made to maintain the seat angle.*

*\* Measurement taken with 50mm Axle and longest wheelbase position*

*\*\*Measured at the front center edge of the seat*

# ITALKART



## ELITE

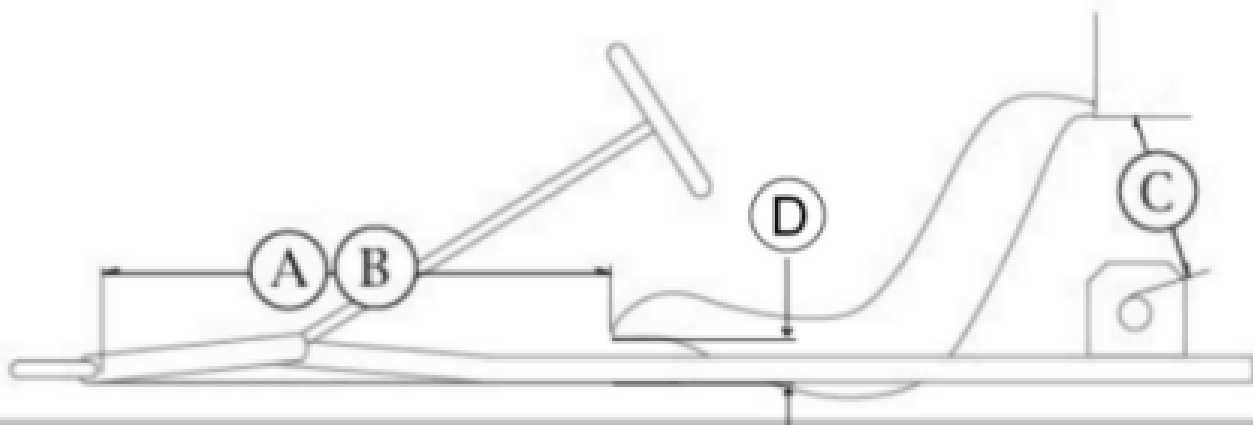
Tillet/Kalit

Ⓐ — 24 5/8"

Ⓑ — 24 3/4"

Ⓒ\* — 8 1/2"

Ⓓ\*\* — 3 3/8"



*Measurements can be adjusted to accommodate drivers of different heights. All attempts should be made to maintain the seat angle.*

*\* Measurement taken with 40mm Axle*

*\*\*Measured at the front center edge of the seat*