

ITALKART

Parts and Accessories

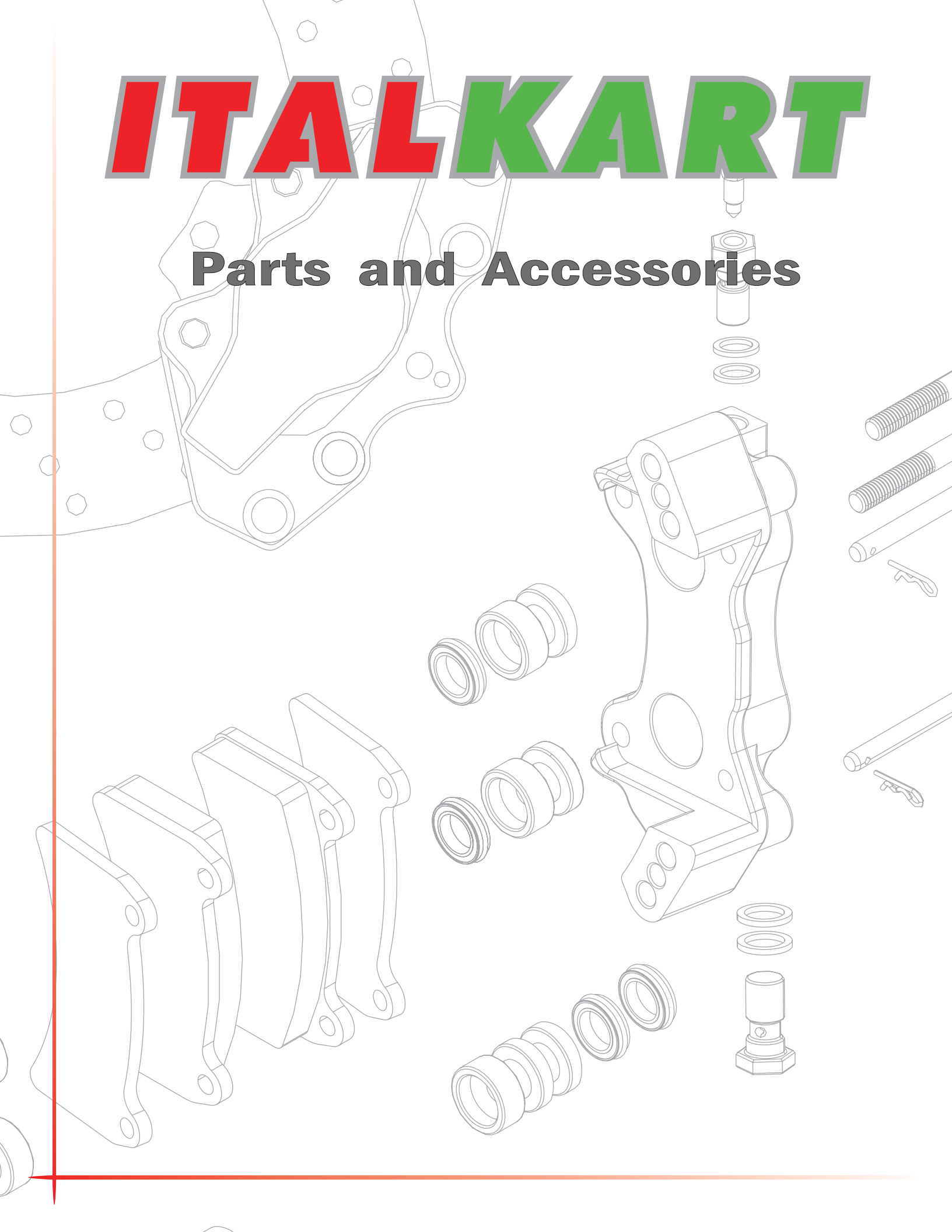
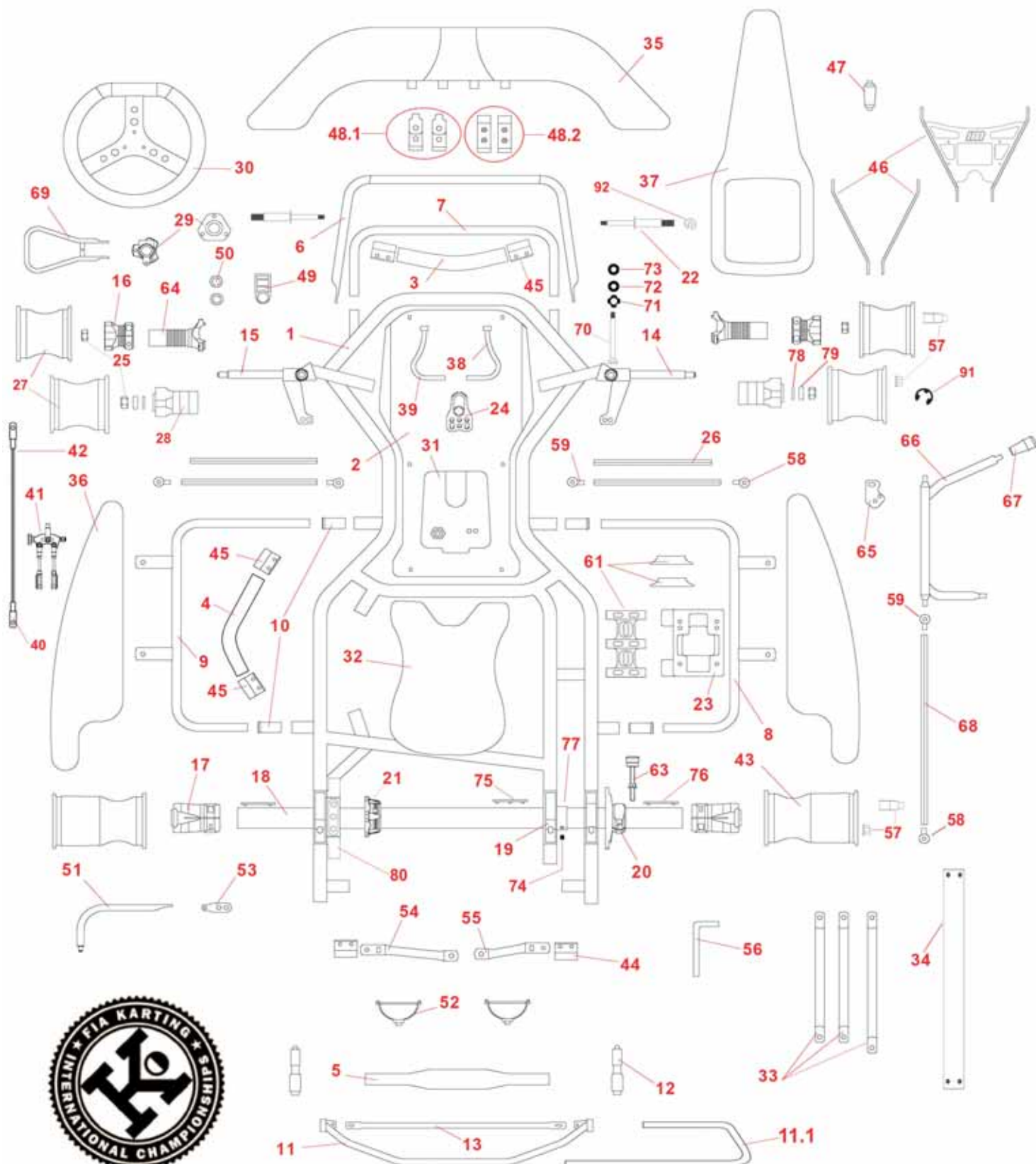


Table of Contents

Chassis	1
Supersonic V	1
Supersonic / Rapido	6
DD2	11
Elite	14
Quattro	18
Cadet V	22
Braking Systems	25
EVO10	25
EVO4	28
EVO3ET	31
EVO1	35
Cadet EVO4	38
Cadet Type 1	41
Water Accessories	44
Fasteners	45
Italkart Clothing	46
Homologation Documents	47



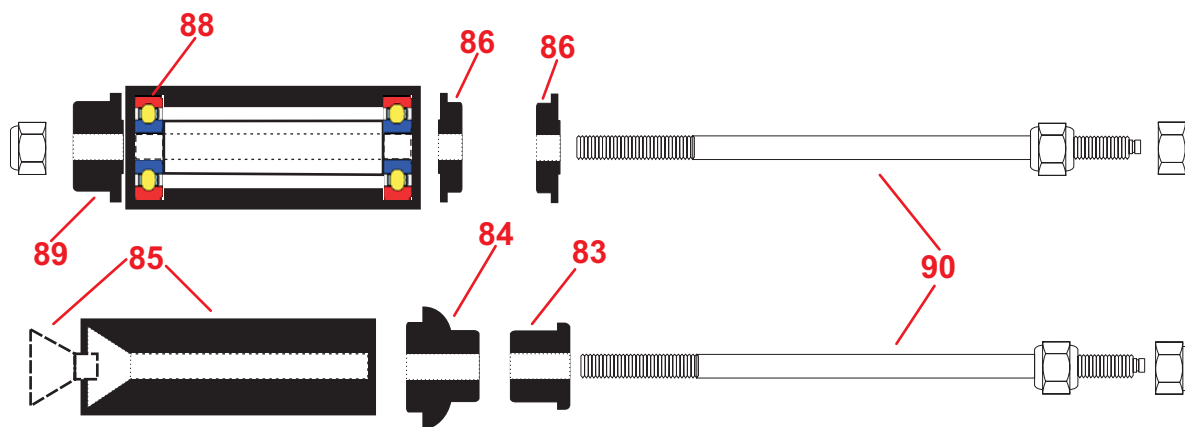
94/CH/11

Figure	Part Number	Description	Retail Price
1	SUPV/BARE/07	SUPERSONIC V FRAME - BARE	\$1,075.00
2	ITL282V	FLOOR PLATE - SS V - ITALKART	\$75.62
3	ITL265V	FRONT TORSION BAR- SS V- ITALKART	\$48.00
4	ITL262V	SIDE TORSION BAR- SSV/DDR - ITALKART	\$40.31
5	ITL264-490	REAR TORSION BAR 490MM- ITALKART	\$40.31
6	ITL138	HIGH FRONT BUMPER-CIK/2003-ITALKART	\$34.10
7	ITL140	LOW FRONT BUMPER-CIK/2003-ITALKART	\$16.91
8	ITL142DX	RIGHT SIDE BUMPER FOR SIDE POD-UNICO-CIK/2003-ITALKART	\$52.03
9	ITL142SX	LEFT SIDE BUMPER FOR SIDE POD UNICO-CIK/2003-ITALKART	\$52.03
10	ITL143V	TEFLON COUPLING FOR SIDE POD - NEW STYLE	\$4.07
11	ITL126	REAR BUMPER WITH SILENCER HOLDER - ITALKART	\$48.58
11	ITL127	REAR BUMPER - ITALKART	\$38.05
11	ITL128	COMPLETE REAR BUMPER ASSEMBLY W/EARS - ITALKART	\$109.64
11	ITL132	REAR BUMPER CENTRAL BODY - HIGH MODEL	\$44.07
11	ITL136	REAR BUMPER TEFLON CONNECTION BUSHING - ITALKART	\$15.64
11.1	ITL146	LEFT/RIGHT WHEEL PROTECTION WITH JOINT (STANDARD/HIGH)	\$30.61
12	ITL118	32mm REAR BUMPER SUPPORT KIT-ITALKART	\$23.06
12	ITL118V	32mm REAR BUMPER SUPPORT KIT - SS V - ITALKART (Includes bolt, 2 thin washer, 1 thick washer, 2 nuts)	\$28.00
13	ITL122	610mm REAR BUMPER ROD WITH GROOVES-ITALKART	\$20.09
14	ITL346DX	PR1 RIGHT SPINDLE FOR 100CC-ITALKART	\$85.42
14	ITL347DX	PR2 RIGHT SPINDLE FOR 100CC - ITALKART	\$79.51
14	ITL349DX	25/8mm RIGHT SPINDLE 10.25 FOR 100cc- ITALKART	\$85.02
14	ITL350DX	25/10mm RIGHT SPINDLE FOR 100cc - ITALKART	\$97.98
14	ITL352DX	PR1 RIGHT SPINDLE FOR 125CC - SHORT -ITALKART	\$81.63
14	ITL354DX	PR1 RIGHT SPINDLE FOR 125CC (STD ITALKART 2005)	\$95.92
14	ITL356DX	PR2 RIGHT SPINDLE FOR 125cc - ITALKART	\$97.98
14	ITL357DX	25/8mm RIGHT SPINDLE 10.25 FOR 125cc - ITALKART	\$111.59
14	ITL358DX	25/10mm RIGHT SPINDLE FOR 125cc - ITALKART	\$143.34
15	ITL346SX	PR1 LEFT SPINDLE FOR 100CC-ITALKART	\$85.42
15	ITL347SX	PR2 LEFT SPINDLE FOR 100CC-ITALKART	\$79.51
15	ITL349SX	25/8mm LEFT SPINDLE 10.25 FOR 100cc - ITALKART	\$85.02
15	ITL350SX	25/10mm LEFT SPINDLE FOR 100cc - ITALKART	\$97.98
15	ITL352SX	PR1 LEFT SPINDLE FOR 125CC - SHORT - ITALKART	\$81.63
15	ITL354SX	PR1 LEFT SPINDLE FOR 125cc (STD.ITALKART 2005)	\$95.92
15	ITL356SX	PR2 LEFT SPINDLE FOR 125cc - ITALKART	\$97.98
15	ITL357SX	25/8mm LEFT SPINDLE 10.25 FOR 125cc - ITALKART	\$111.59
15	ITL358SX	25/10mm LEFT SPINDLE FOR 125cc - ITALKART	\$95.91
16	INT0640-06	95mm FRONT HUB FOR 100cc FOR 25mm SPINDLE - MAGNESIUM	\$83.36
16	ITL186	40x65mm ALUMINUM WHEEL HUB- ITALKART	\$44.70
16	ITL188	40x65mm W/SEPERABLE BRASS RING - ITALKART	\$43.10
16	ITL187-4275	42x75mm Front Hub with Plastic insert - Italkart	\$44.70
17	ITL200	50x75mm ALUMINUM WHEEL HUB-ITALKART	\$40.44
17	ITL202	50x95mm ALUMINUM WHEEL HUB-ITALKART	\$48.74
17	ITL202A	50x95mm ALUMINUM WHEEL HUB-ITALKART (NEW STYLE)	\$46.84
17	ITL204	50x125mm ALUMINUM WHEEL HUB-ITALKART	\$46.43
18	ITL002-40A	50X1040 Axle Soft A/100cc- Italkart	\$80.32
18	ITL002-40B	50X1040 Axle Medium B/100cc- Italkart	\$88.00
18	ITL002-40C	50X1040 Axle Hard C/100cc- Italkart	\$88.00
18	ITL003-40A	50X1040 Axle Soft A/Universal- Italkart	\$112.89
18	ITL003-40B	50X1040 Axle Medium B/Universal- Italkart	\$92.34
18	ITL003-40C	50X1040 Axle Hard C/Universal- Italkart	\$92.34
18	ITL008-40A	50X1040 Axle Soft A/125cc- Italkart	\$96.00

Figure	Part Number	Description	Retail Price
18	ITL008-40B	50X1040 Axle Medium B/125cc- Italkart	\$96.00
18	ITL008-40C	50X1040 Axle Hard C/125cc- Italkart	\$96.00
19	ITL259	CASSETTE SUP V - ITALKART (SUP/RAP 2005+ SIDE)	\$53.19
20	ITL194	50mm ALUMINUM SPROCKET SUPPORT-ITALKART	\$59.92
20	ITL194A	50mm LIGHTWEIGHT ALUMINUM SPROCKET SUPPORT-ITALKART	\$56.96
21	ITL195V-2	50mm 6 Point floating Brake HUB - 2007 Style	\$61.27
21	ITL196	50mm FLOATING REAR BRAKE DISK SUPPORT - 3 POINT	\$61.32
21	ITL195	50mm FLOATING REAR BRAKE DISK SUPPORT - 6 POINT	\$52.76
22	ITL288	PEDAL BOLT - ITALKART	\$7.61
23	ITL604	COMPLETE MOTOR MOUNT KIT (INCLUDES BUTTERFLY BRACKETS) 32X92MM ***GOLD MAGNESIUM	\$107.14
24	ITL368V	490mm STEERING COLUMN 100cc/125cc-SSV-ITALKART ****D Length 88mm **** For karts Super V, Elite 07, Rapido V	\$37.51
25	ITL168	SPINDLE NUT-ITALKART	\$2.33
26	ITL392-275	STEERING TIE-ROD HEXAGONAL 275mm- ITALKART	\$11.72
26	ITL392-290	STEERING TIE-ROD HEXAGONAL 290MM-ITALKART	\$11.72
27	ITL500	ALUINIUM FRONT WHEEL WITH BEARINGS- FOR 17mm SPINDLE- ITALKART	\$59.30
27	ITL502	FRONT WHEEL - 3 BOLT PATTERN - ITALKART	\$42.32
27	ITL502MGV	MAGNESIUM VENTED FRONT WHEEL 130mm 3- BOLT	\$53.70
28	ITL206	75mm ALUMINUM FRONT HUB -ITALKART	\$47.28
28	ITL208	95mm ALUMINUM FRONT HUB-ITALKART	\$49.62
28	ITL210	58mm ALUMINUM FRONT HUB-ITALKART	\$36.40
28	MZ072TT	95mm FRONT HUB FOR 100cc - 25mm BEARING - ANODIZED TT..	\$63.06
29	ITL394	STEERING WHEEL HUB FOR 100CC-ITALKART	\$22.64
29	ITL396	STEERING WHEEL HUB FOR 125CC-ITALKART	\$39.03
29	ITL398	INCLINED STEERING WHEEL HUB FOR 100CC-ITALKART	\$51.33
29	ITL399	INCLINED STEERING WHEEL HUB FOR 125cc- ITALKART	\$43.02
30	ITL376	ITALKART STEERING WHEEL - RED/YELLOW	\$132.00
31	ITL154	FUEL TANK 100/125CC - ITALKART	\$52.55
31	ITL157V	FUEL TANK BRACKET ANOD. - ITALKART	\$12.90
31	ITL158	FUEL TANK CAP-ITALKART	\$3.94
31	ITL160	FUEL TANK WING NUT CONNECTION-ITALKART	\$3.36
31	ITL162	GAS CAP WASHER	\$8.49
32	ITL314	FIBERGLASS REINFORCED RESIN SEAT FLAT BOTTOM-SIZE 1-ITALKART	\$79.25
32	ITL316	FIBERGLASS REINFORCED RESIN SEAT FLAT BOTTOM - SIZE 2-ITALKART	\$79.25
32	ITL318	FIBERGLASS REINFORCED RESIN SEAT FLAT BOTTOM - SIZE 3-ITALKART	\$79.25
32	ITL320	FIBERGLASS REINFORCED RESIN SEAT FLAT BOTTOM-SIZE-4 ITALKART	\$79.25
33	ITL326-230	230mm SEAT STRUT / RADIATOR BRACKET	\$20.49
33	ITL326-300	300mm SEAT STRUT	\$13.21
33	ITL326-320	320mm SEAT STRUT - ITALKART	\$13.21
33	ITL326-340	340mm SEAT STRUT-ITALKART	\$13.21
33	ITL326-360	360mm SEAT STRUT-ITALKART	\$13.21
33	ITL326-400	400mm SEAT STRUT-ITALKART	\$13.21
34	ITL148	PLASTIC CHAIN GUARD - ITALKART	\$5.28
35	ITL030	NOSE CONE - UNICO - YELLOW - ITALKART	\$68.82
36	ITL032W	WHITE SIDE POD UNICO - UNICO - ITALKART	\$42.06
36	ITL032Y	YELLOW SIDE POD UNICO - UNICO - ITALKART	\$42.06
37	ITL024W	WHITE NASAU PANEL - UNICO - ITALKART	\$46.52
37	ITL024Y	YELLOW NASAU PANEL - UNICO - ITALKART	\$46.52
38	ITL286	RIGHT PEDAL-ITALKART	\$33.20
39	ITL284	LEFT PEDAL-ITALKART	\$29.35
40	ITL077	BRAKE ROD FORK W/CLIP - SHORT - ITALKART	\$5.23
40	ITL078	BRAKE ROD FORK ASSEMBLY - LONG - ITALKART	\$6.62

Figure	Part Number	Description	Retail Price
41	ITL079A	BRAKE BIAS ADJUSTER - NEW STYLE - ITALKART	\$84.05
42	ITL074	BRAKE ROD (100cc)-ITALKART 410mm	\$8.35
42	ITL076	BRAKE ROD (125cc)-ITALKART 340mm	\$7.85
42	ITL082	COMPLETE FLEXIBLE BRAKE ROD - ITALKART	\$18.04
43	ITL504	180mm ALUM. REAR WHEEL - ITALKART	\$50.37
43	ITL504MGV	MAGNESIUM VENTED REAR WHEEL 180mm	\$62.45
43	ITL506	210mm ALUM. REAR WHEEL - ITALKART	\$52.57
43	ITL506MGV	MAGNESIUM VENTED REAR WHEEL 210mm	\$62.45
44	ITL266	28mm REINFORCED TORSION BAR CLAMP-ITALKART	\$10.52
45	ITL267	30mm REINFORCED TORSION BAR CLAMP - ITALKART	\$9.19
46	IM222	IM NASAU PANEL BRACKET WITH SUPPORTS	\$49.50
46	ITL022	UPPER SUPPORT FOR NASAU PANEL - ITALKART	\$20.99
47	ITL020	LOWER SUPPORT FOR NASAU PANEL HIGH MODEL - ITALKART	\$13.07
48.1	ITL028	NOSE CONE SNAP HOOKS - ITALKART	\$37.04
48.2	ITL026	NOSE CONE FLANGE - RED - ITALKART	\$11.94
49	ITL384	STEERING COLUMN SUPPORT - NYLON - WITH 1 HOLE -RED-ITALKART	\$6.92
49	ITL386	STEERING COLUMN SUPPORT - NYLON WITH 2 HOLES - RED - ITALKART	\$6.32
50	ITL390	STEERING LOCK BUSHING-ITALKART	\$6.43
51	ITL272V	CURVED SILENCER HOLDER- SS V- ITALKART	\$44.94
52	ITL274	COMPLETE EXHAUST CRADLE - ITALKART	\$18.78
53	ITL273	SILENCER HOLDER PLATE SUPPORT CHROMED - CURVED	\$14.51
54	ITL268	CHROME PLATED SILENCER SUPPORT - LONG TYPE-ITALKART	\$18.78
55	ITL270	CHROME PLATED SILENCER SUPPORT - SHORT TYPE-ITALKART	\$19.64
56	ITL150	CHAIN GUARD SUPPORT-ITALKART	\$7.56
57	ITL248	HUB NUT-ITALKART	\$5.63
57	ITL249	CIK WHEEL NUT	\$1.28
58	ITL378DX	RIGHT MALE TIE-ROD END - ITALKART	\$17.45
59	ITL378SX	LEFT MALE TIE ROD END- ITALKART	\$17.45
61	ITL610	BRACKET FOR MOTOR MOUNT - 32 x 92mm - ITALKART	\$9.93
63	ITL280	ENGINE STOPPER BOLT-ITALKART	\$13.35
64	FR038TT	HUB SUPPORT 125c for 25mm SPINDLE - TT	\$56.22
64	ITL190	(Left/Right) Sliding Front Wheel Hub Support- Italkart	\$50.94
64	ITL190DX	RIGHT SLIDING FRONT WHEEL HUB SUPPORT - ITALKART	\$56.22
64	ITL190-F	(Left/Right) Front Brake Hub Support for Floating Rotor. EVO3, EVO4, EVO10	\$91.50
64	ITL190SX	LEFT SLIDING FRONT WHEEL HUB SUPPORT - ITALKART	\$56.24
64	ITL190-25	(Left/Right) Front Hub support for 25mm Spindle - Green	\$56.22
65	ITL370	ITALKART UPPER SHIFTER SUPPORT ASSEMBLY	\$68.00
66	ITL252	Gear Shift lever with 8mm studs - ITALKART	\$39.55
67	ITL254	125CC GEAR LEVER HANDLE - ITALKART	\$13.40
68	ITL256	SHIFT ROD - ITALKART	\$14.65
69	ITL250	125CC CLUTCH LEVER - ITALKART	\$19.00
70	ITL360-08	SPINDLE BOLT - ITALKART	\$7.87
70	ITL360-10	PH M10 SPINDLE BOLT FOR 25mm SPINDLE-ITALKART	\$9.80
71	ITL340-08	UPPER NORMAL STRAIGHT WASHER FOR 8mm SPINDLE BOLT- ITALKART	\$8.35
71	ITL362SX-08	Upper Adjustable Caster Pill for 8mm Spindle Bolt - Italkart Left	\$11.63
71	ITL362-10	UPPER ADJUSTABLE CASTER PILL FOR 10MM SPINDLE BOLT- ITALKART	\$8.20
71	ITL362DX-08	Upper Adjustable Caster Pill for 8mm Spindle Bolt - Italkart Right	\$11.63
72	ITL364-08	SPINDLE HEIGHT ADJUSTMENT WASHER 20x8x3.9mm	\$1.81
72	ITL364-10	SPINDLE HEIGHT ADJUSTMENT WASHER 25x10x3.9	\$1.96
73	ITL338-08	8mm LOWER NORMAL STRAIGHT WASHER SPINDLE SCREW-ITALKART	\$7.37
73	ITL342-08	LOWER ADJUSTABLE CASTER PILL FOR 8mm SPINDLE BOLT - ITALKART	\$6.34
74	ITL017	SET SCREW FOR ROLLER	\$1.71
75	ITL016	3 PEG KEY FOR 125 SPROCKET - ITALKART	\$9.71

Figure	Part Number	Description	Retail Price
76	ITL014	2 PEG KEY 7.5x34mm - ITALKART	\$7.56
77	ITL018	AXLE BEARING 50mm -ITALKART	\$69.79
77	ITL019	AXLE BEARING 50MM -ITALKART STANDARD	\$34.62
78	ITL336	5mm SPINDLE SPACING-ITALKART	\$2.03
78	ITL336-25	5mm WHEEL SPACER FOR 25mm SPINDLE - ITALKART	\$2.06
79	ITL334	10mm SPINDLE SPACER-ITALKART	\$2.85
79	ITL334-25	10mm WHEEL SPACER FOR 25mm SPINDLE - ITALKART	\$2.54
79	ITL335-25	END CAP WASHER/SPACER FOR 25mm SPINDLE - ITALKART	\$12.51
80	ITL056V	BRAKE CALIPER SUPPORT FOR SUPERSONIC V	\$52.51
83	ITL124	EXTERNAL REAR BUMPER BUSHING-ITALKART	\$3.20
84	ITL116	32mm INTERNAL BUMPER BUSHING-ITALKART	\$3.15
85	ITL120	32mm RUBBER BUMPER BUSHING WITH SCREW - ITALKART	\$4.62
86	ITL124V	THIN WASHER FOR BUMPER BOLT ASSEMBLY - SS V - ITALKART	\$3.68
88	ITL115	BEARING FOR REAR BUMPER SUPPORT KIT- SS V- ITALKART (2 BEARINGS BEARINGS USED PER ASSEMBLY) / SPINDLE BEARING FOR 10mm	\$9.98
89	ITL116V	THICK WASHER FOR BUMPER SUPPORT KIT - SS V - ITALKART	\$8.49
90	ITL130	REAR BUMPER BOLT - ITALKART	\$13.35
91	ITL333	SPINDLE SAFETY CIRCLIP	\$1.24
92	PP013	CIRCLIP	\$0.17



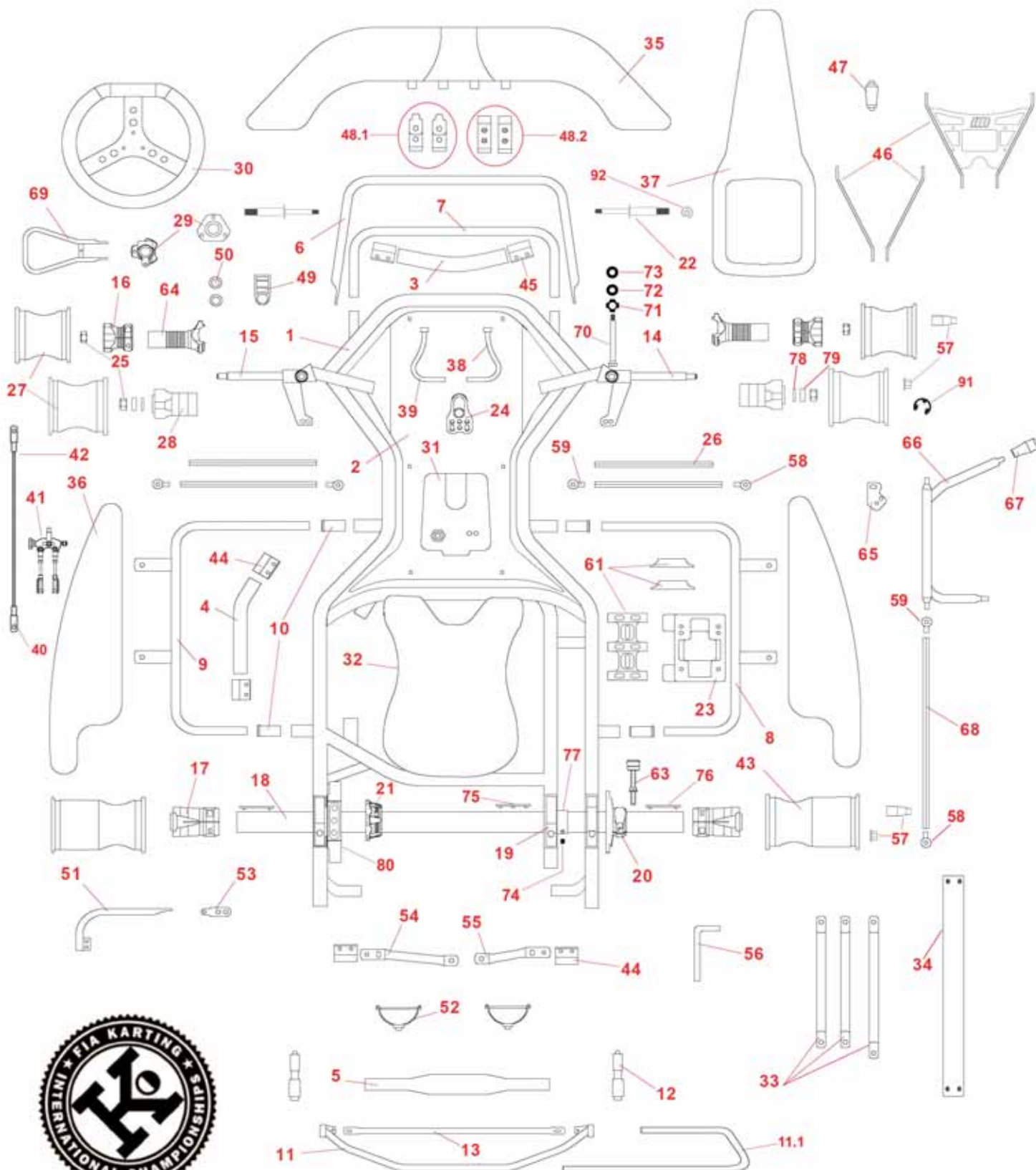
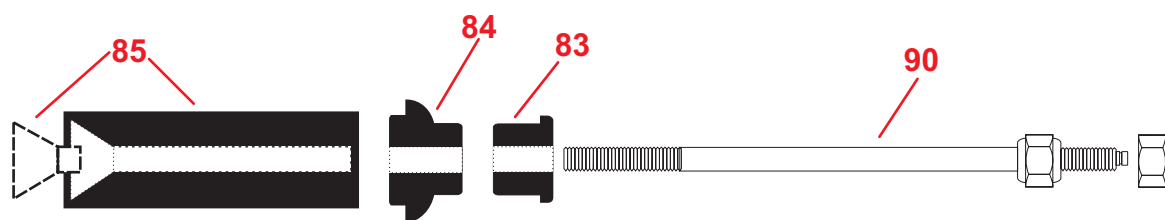


Figure	Part Number	Description	Retail Price
1	RAP/BARE/07	ITALKART RAPIDO BARE FRAME	\$995.00
1	SUP/BARE/07	ITALKART SUPERSONIC BARE FRAME Ø32 TUBING	\$995.00
2	ITL282	FLOOR PLATE - ITALKART	\$75.62
3	ITL265	FRONT TORSION BAR - ITALKART	\$42.85
4	ITL262	SIDE TORSION BAR - ITALKART	\$40.31
5	ITL264-340	REAR TORSION BAR 340mm- ITALKART	\$40.31
6	ITL138	HIGH FRONT BUMPER-CIK/2003-ITALKART	\$34.10
7	ITL140	LOW FRONT BUMPER-CIK/2003-ITALKART	\$16.91
8	ITL142DX	RIGHT SIDE BUMPER FOR SIDE POD-UNICO-CIK/2003-ITALKART	\$52.03
9	ITL142SX	LEFT SIDE BUMPER FOR SIDE POD UNICO-CIK/2003-ITALKART	\$52.03
10	ITL143V	TEFLON COUPLING FOR SIDE POD - NEW STYLE	\$4.07
11	ITL126	REAR BUMPER WITH SILENCER HOLDER - ITALKART	\$48.58
11	ITL127	REAR BUMPER - ITALKART	\$38.05
11	ITL128	COMPLETE REAR BUMPER ASSEMBLY W/EARS - ITALKART	\$109.64
11	ITL132	REAR BUMPER CENTRAL BODY - HIGH MODEL	\$44.07
11	ITL136	REAR BUMPER TEFLON CONNECTION BUSHING - ITALKART	\$15.64
11.1	ITL146	LEFT/RIGHT WHEEL PROTECTION WITH JOINT (STANDARD/HIGH)	\$30.61
12	ITL112	30mm REAR BUMPER SUPPORT KIT-ITALKART	\$23.06
12	ITL118	32mm REAR BUMPER SUPPORT KIT-ITALKART	\$23.06
13	ITL122	610mm REAR BUMPER ROD WITH GROOVES-ITALKART	\$20.09
14	ITL346DX	PR1 RIGHT SPINDLE FOR 100CC-ITALKART	\$85.42
14	ITL347DX	PR2 RIGHT SPINDLE FOR 100CC - ITALKART	\$79.51
14	ITL349DX	25/8mm RIGHT SPINDLE 10.25 FOR 100cc- ITALKART	\$85.02
14	ITL350DX	25/10mm RIGHT SPINDLE FOR 100cc - ITALKART	\$97.98
14	ITL352DX	PR1 RIGHT SPINDLE FOR 125CC - SHORT -ITALKART	\$81.63
14	ITL354DX	PR1 RIGHT SPINDLE FOR 125CC (STD ITALKART 2005)	\$95.92
14	ITL356DX	PR2 RIGHT SPINDLE FOR 125cc - ITALKART	\$97.98
14	ITL357DX	25/8mm RIGHT SPINDLE 10.25 FOR 125cc - ITALKART	\$111.59
14	ITL358DX	25/10mm RIGHT SPINDLE FOR 125cc - ITALKART	\$143.34
15	ITL346SX	PR1 LEFT SPINDLE FOR 100CC-ITALKART	\$85.42
15	ITL347SX	PR2 LEFT SPINDLE FOR 100CC-ITALKART	\$79.51
15	ITL349SX	25/8mm LEFT SPINDLE 10.25 FOR 100cc - ITALKART	\$85.02
15	ITL350SX	25/10mm LEFT SPINDLE FOR 100cc - ITALKART	\$97.98
15	ITL352SX	PR1 LEFT SPINDLE FOR 125CC - SHORT - ITALKART	\$81.63
15	ITL354SX	PR1 LEFT SPINDLE FOR 125cc (STD.ITALKART 2005)	\$95.92
15	ITL356SX	PR2 LEFT SPINDLE FOR 125cc - ITALKART	\$97.98
15	ITL357SX	25/8mm LEFT SPINDLE 10.25 FOR 125cc - ITALKART	\$111.59
15	ITL358SX	25/10mm LEFT SPINDLE FOR 125cc - ITALKART	\$95.91
16	ITL186	40x65mm ALUMINUM WHEEL HUB- ITALKART	\$44.70
16	ITL187-4275	42x75mm Front Hub with Plastic insert - Italkart	\$44.70
16	ITL188	40x65mm W/SEPERABLE BRASS RING - ITALKART	\$43.10
17	ITL198	50x65mm ALUMINUM WHEEL HUB-ITALKART	\$40.24
17	ITL200	50x75mm ALUMINUM WHEEL HUB-ITALKART	\$40.44
17	ITL202	50x95mm ALUMINUM WHEEL HUB-ITALKART	\$48.74
17	ITL202A	50x95mm ALUMINUM WHEEL HUB-ITALKART (NEW STYLE)	\$46.84
17	ITL204	50x125mm ALUMINUM WHEEL HUB-ITALKART	\$46.43
18	ITL002-40A	50X1040 Axle Soft A/100cc- Italkart	\$80.32
18	ITL002-40B	50X1040 Axle Medium B/100cc- Italkart	\$88.00
18	ITL002-40C	50X1040 Axle Hard C/100cc- Italkart	\$88.00
18	ITL003-40A	50X1040 Axle Soft A/Universal- Italkart	\$112.89
18	ITL003-40B	50X1040 Axle Medium B/Universal- Italkart	\$92.34
18	ITL003-40C	50X1040 Axle Hard C/Universal- Italkart	\$92.34
18	ITL008-40A	50X1040 Axle Soft A/125cc- Italkart	\$96.00
18	ITL008-40B	50X1040 Axle Medium B/125cc- Italkart	\$96.00

Figure	Part Number	Description	Retail Price
18	ITL008-40C	50X1040 Axle Hard C/125cc- Italkart	\$96.00
19	ITL259	CASSETTE SUP V - ITALKART (SUP/RAP 2005+ SIDE)	\$53.19
20	ITL194	50mm ALUMINUM SPROCKET SUPPORT-ITALKART	\$59.92
20	ITL194A	50mm LIGHTWEIGHT ALUMINUM SPROCKET SUPPORT-ITALKART	\$56.96
21	ITL195	50mm FLOATING REAR BRAKE DISK SUPPORT - 6 POINT	\$52.76
21	ITL196	50mm FLOATING REAR BRAKE DISK SUPPORT - 3 POINT	\$61.32
22	ITL288	PEDAL BOLT - ITALKART	\$7.61
23	ITL600	COMPLETE MOTOR MOUNT KIT (INCLUDES BUTTERFLY BRACKETS) 30X92MM ***GOLD MAGNESIUM	\$120.00
23	ITL604	COMPLETE MOTOR MOUNT KIT (INCLUDES BUTTERFLY BRACKETS) 32X92MM ***GOLD MAGNESIUM	\$107.14
24	ITL368	470MM STEERING COLUMN 100CC/125CC- ITALKART. *****For Rapido, Supersonic and 06 or older Elite and Quattro *****D lenght 62	\$46.38
25	ITL168	SPINDLE NUT-ITALKART	\$2.33
26	ITL392-275	STEERING TIE-ROD HEXAGONAL 275mm- ITALKART	\$11.72
26	ITL392-290	STEERING TIE-ROD HEXAGONAL 290MM-ITALKART	\$11.72
27	ITL500	ALUINIUM FRONT WHEEL WITH BEARINGS- FOR 17mm SPINDLE- ITALKART	\$59.30
27	ITL502	FRONT WHEEL - 3 BOLT PATTERN - ITALKART	\$42.32
27	ITL502MGV	MAGNESIUM VENTED FRONT WHEEL 130mm 3- BOLT	\$53.70
28	ITL206	75mm ALUMINUM FRONT HUB --ITALKART	\$47.28
28	ITL208	95mm ALUMINUM FRONT HUB-ITALKART	\$49.62
28	ITL210	58mm ALUMINUM FRONT HUB-ITALKART	\$36.40
28	MZ072TT	95mm FRONT HUB FOR 100cc - 25mm BEARING - ANODIZED TT..	\$63.06
29	ITL394	STEERING WHEEL HUB FOR 100CC-ITALKART	\$22.64
29	ITL396	STEERING WHEEL HUB FOR 125CC-ITALKART	\$39.03
29	ITL398	INCLINED STEERING WHEEL HUB FOR 100CC-ITALKART	\$51.33
29	ITL399	INCLINED STEERING WHEEL HUB FOR 125cc- ITALKART	\$43.02
30	ITL376	ITALKART STEERING WHEEL - RED/YELLOW	\$132.00
31	ITL154	FUEL TANK 100/125CC - ITALKART	\$52.55
31	ITL158	FUEL TANK CAP-ITALKART	\$3.94
31	ITL160	FUEL TANK WING NUT CONNECTION-ITALKART	\$3.36
31	ITL162	GAS CAP WASHER	\$8.49
31	ITL371	ITALKART FUEL TANK BRACKET - RAP/SUP	\$40.67
32	ITL314	FIBERGLASS REINFORCED RESIN SEAT FLAT BOTTOM-SIZE 1-ITALKART	\$79.25
32	ITL316	FIBERGLASS REINFORCED RESIN SEAT FLAT BOTTOM - SIZE 2-ITALKART	\$79.25
32	ITL318	FIBERGLASS REINFORCED RESIN SEAT FLAT BOTTOM - SIZE 3-ITALKART	\$79.25
32	ITL320	FIBERGLASS REINFORCED RESIN SEAT FLAT BOTTOM-SIZE-4 ITALKART	\$79.25
33	ITL326-230	230mm SEAT STRUT / RADIATOR BRACKET	\$20.49
33	ITL326-300	300mm SEAT STRUT	\$13.21
33	ITL326-320	320mm SEAT STRUT - ITALKART	\$13.21
33	ITL326-340	340mm SEAT STRUT-ITALKART	\$13.21
33	ITL326-360	360mm SEAT STRUT-ITALKART	\$13.21
33	ITL326-400	400mm SEAT STRUT-ITALKART	\$13.21
34	ITL148	PLASTIC CHAIN GUARD - ITALKART	\$5.28
35	ITL030	NOSE CONE - UNICO - YELLOW - ITALKART	\$68.82
36	ITL032W	WHITE SIDE POD UNICO - UNICO - ITALKART	\$42.06
36	ITL032Y	YELLOW SIDE POD UNICO - UNICO - ITALKART	\$42.06
37	ITL024W	WHITE NASAU PANEL - UNICO - ITALKART	\$46.52
37	ITL024Y	YELLOW NASAU PANEL - UNICO - ITALKART	\$46.52
38	ITL286	RIGHT PEDAL-ITALKART	\$33.20
39	ITL284	LEFT PEDAL-ITALKART	\$29.35
40	ITL077	BRAKE ROD FORK W/CLIP - SHORT - ITALKART	\$5.23
40	ITL078	BRAKE ROD FORK ASSEMBLY - LONG - ITALKART	\$6.62
41	ITL079A	BRAKE BIAS ADJUSTER - NEW STYLE - ITALKART	\$84.05

Figure	Part Number	Description	Retail Price
42	ITL074	BRAKE ROD (100cc)-ITALKART 410mm	\$8.35
42	ITL076	BRAKE ROD (125cc)-ITALKART 340mm	\$7.85
42	ITL082	COMPLETE FLEXIBLE BRAKE ROD - ITALKART	\$18.04
43	ITL504	180mm ALUM. REAR WHEEL - ITALKART	\$50.37
43	ITL504MGV	MAGNESIUM VENTED REAR WHEEL 180mm	\$62.45
43	ITL506	210mm ALUM. REAR WHEEL - ITALKART	\$52.57
43	ITL506MGV	MAGNESIUM VENTED REAR WHEEL 210mm	\$62.45
44	ITL266	28mm REINFORCED TORSION BAR CLAMP-ITALKART	\$10.52
45	ITL267	30mm REINFORCED TORSION BAR CLAMP - ITALKART	\$9.19
46	IM222	IM NASAU PANEL BRACKET WITH SUPPORTS	\$49.50
46	ITL022	UPPER SUPPORT FOR NASAU PANEL - ITALKART	\$20.99
47	ITL020	LOWER SUPPORT FOR NASAU PANEL HIGH MODEL - ITALKART	\$13.07
48.1	ITL028	NOSE CONE SNAP HOOKS - ITALKART	\$37.04
48.2	ITL026	NOSE CONE FLANGE - RED - ITALKART	\$11.94
49	ITL384	STEERING COLUMN SUPPORT - NYLON - WITH 1 HOLE -RED-ITALKART	\$6.92
49	ITL386	STEERING COLUMN SUPPORT - NYLON WITH 2 HOLES - RED - ITALKART	\$6.32
51	ITL272	CURVED SILENCER HOLDER-ITALKART	\$48.83
52	ITL274	COMPLETE EXHAUST CRADLE - ITALKART	\$18.78
54	ITL268	CHROME PLATED SILENCER SUPPORT - LONG TYPE-ITALKART	\$18.78
55	ITL270	CHROME PLATED SILENCER SUPPORT - SHORT TYPE-ITALKART	\$19.64
56	ITL150	CHAIN GUARD SUPPORT-ITALKART	\$7.56
57	ITL248	HUB NUT-ITALKART	\$5.63
57	ITL249	CIK WHEEL NUT	\$1.28
58	ITL378DX	RIGHT MALE TIE-ROD END - ITALKART	\$17.45
59	ITL378SX	LEFT MALE TIE ROD END- ITALKART	\$17.45
61	ITL606	BRACKET FOR MOTOR MOUNT - 30 x 92mm - ITALKART	\$9.93
61	ITL610	BRACKET FOR MOTOR MOUNT - 32 x 92mm - ITALKART	\$9.93
63	ITL280	ENGINE STOPPER BOLT-ITALKART	\$13.35
64	FR038TT	HUB SUPPORT 125c for 25mm SPINDLE - TT	\$56.22
64	ITL190DX	RIGHT SLIDING FRONT WHEEL HUB SUPPORT - ITALKART	\$56.22
64	ITL190SX	LEFT SLIDING FRONT WHEEL HUB SUPPORT - ITALKART	\$56.24
64	ITL190-F	(Left/Right) Front Brake Hub Support for Floating Rotor. EVO3, EVO4, EVO10	\$91.50
64	ITL190	(Left/Right) Sliding Front Wheel Hub Support- Italkart	\$50.94
64	ITL190-25	(Left/Right) Front Hub support for 25mm Spindle - Green	\$56.22
64	ITL187-4275	42x75mm Front Hub with Plastic insert - Italkart	\$44.70
65	ITL370	ITALKART UPPER SHIFTER SUPPORT ASSEMBLY	\$68.00
66	ITL252	Gear Shift lever with 8mm studs - ITALKART	\$39.55
67	ITL254	125CC GEAR LEVER HANDLE - ITALKART	\$13.40
68	ITL256	SHIFT ROD - ITALKART	\$14.65
69	ITL250	125CC CLUTCH LEVER - ITALKART	\$19.00
70	ITL360-08	SPINDLE BOLT - ITALKART	\$7.87
70	ITL360-10	PH M10 SPINDLE BOLT FOR 25mm SPINDLE-ITALKART	\$9.80
71	ITL340-08	UPPER NORMAL STRAIGHT WASHER FOR 8mm SPINDLE BOLT- ITALKART	\$8.35
71	ITL362SX-08	Upper Adjustable Caster Pill for 8mm Spindle Bolt - Italkart Left	\$11.63
71	ITL362-10	UPPER ADJUSTABLE CASTER PILL FOR 10MM SPINDLE BOLT- ITALKART	\$8.20
71	ITL362DX-08	Upper Adjustable Caster Pill for 8mm Spindle Bolt - Italkart Right	\$11.63
72	ITL364-08	SPINDLE HEIGHT ADJUSTMENT WASHER 20x8x3.9mm	\$1.81
72	ITL364-10	SPINDLE HEIGHT ADJUSTMENT WASHER 25x10x3.9	\$1.96
73	ITL338-08	8mm LOWER NORMAL STRAIGHT WASHER SPINDLE SCREW-ITALKART	\$7.37
73	ITL338-10	NEUTRAL LOWER CASTOR PILL M10 - ITALKART	\$7.61
73	ITL342-08	LOWER ADJUSTABLE CASTER PILL FOR 8mm SPINDLE BOLT - ITALKART	\$6.34
74	ITL017	SET SCREW FOR ROLLER	\$1.71
75	ITL016	3 PEG KEY FOR 125 SPROCKET - ITALKART	\$9.71
76	ITL014	2 PEG KEY 7.5x34mm - ITALKART	\$7.56

Figure	Part Number	Description	Retail Price
77	ITL018	AXLE BEARING 50mm -ITALKART	\$69.79
77	ITL019	AXLE BEARING 50MM -ITALKART STANDARD	\$34.62
78	ITL336	5mm SPINDLE SPACING-ITALKART	\$2.03
78	ITL336-25	5mm WHEEL SPACER FOR 25mm SPINDLE - ITALKART	\$2.06
79	ITL334	10mm SPINDLE SPACER-ITALKART	\$2.85
79	ITL334-25	10mm WHEEL SPACER FOR 25mm SPINDLE - ITALKART	\$2.54
79	ITL335-25	END CAP WASHER/SPACER FOR 25mm SPINDLE - ITALKART	\$12.51
80	ITL056	2005 CALIPER SUPPORT BRACKET (2004 Chassis requires ITL259 also)..	\$53.50
83	ITL124	EXTERNAL REAR BUMPER BUSHING-ITALKART	\$3.20
84	ITL110	30mm INTERNAL BUMPER BUSHING - ITALKART	\$3.15
84	ITL116	32mm INTERNAL BUMPER BUSHING-ITALKART	\$3.15
85	ITL114	30mm RUBBER BUMPER BUSHING WITH SCREW - ITALKART	\$4.62
85	ITL120	32mm RUBBER BUMPER BUSHING WITH SCREW - ITALKART	\$4.62
90	ITL130	REAR BUMPER BOLT - ITALKART	\$13.35
91	ITL333	SPINDLE SAFETY CIRCLIP	\$1.24
92	PP013	CIRCLIP	\$0.17



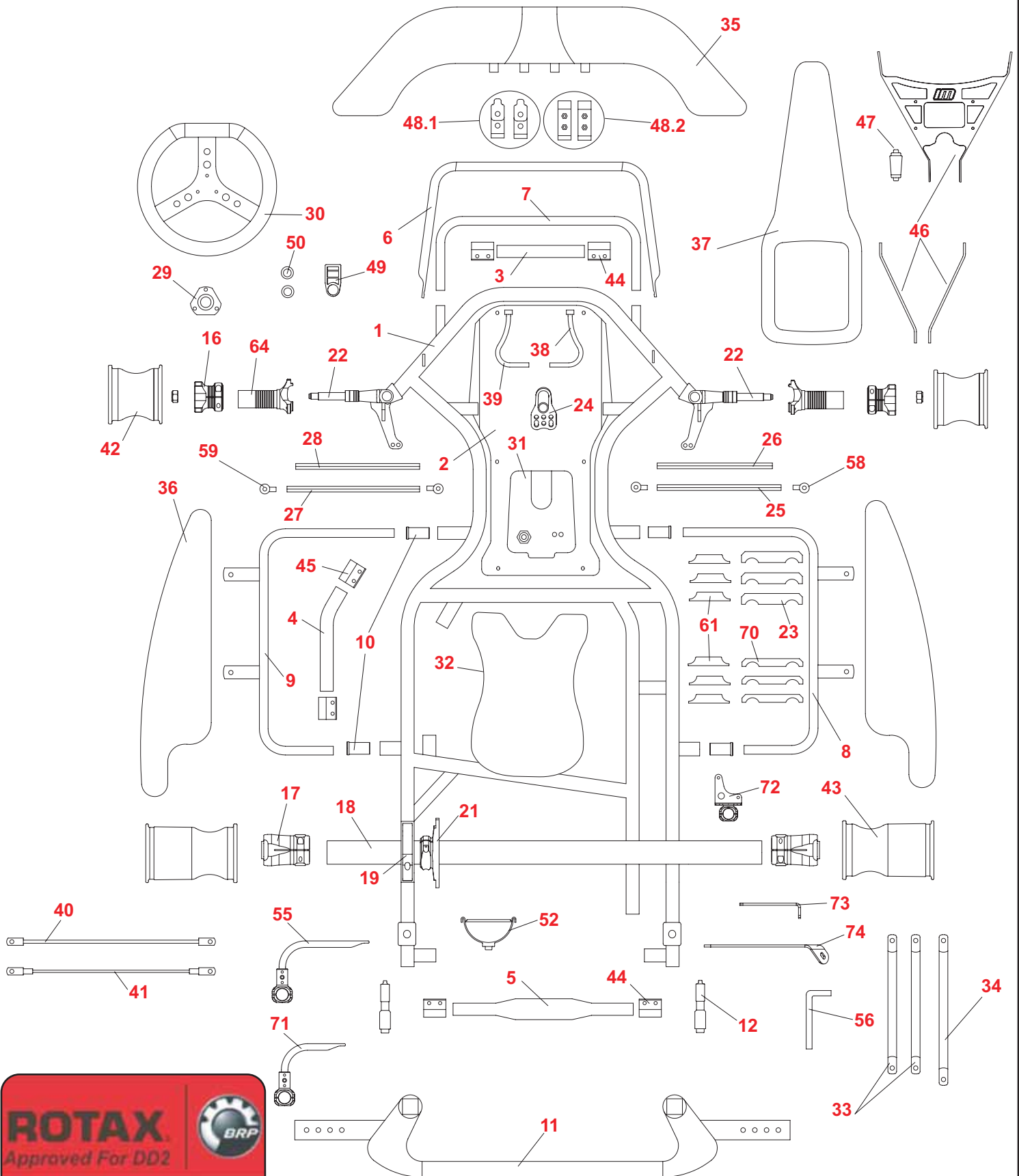


Figure	Part Number	Description	Retail Price
2	ITL282-DD2	FLOOR PAN - DDR - ITALKART (655mm LENGTH)	\$110.04
3	ITL265E	FRONT TORSION BAR- ELITE- ITALKART	\$48.00
4	ITL262-DD2	SIDE TORSION BAR - DD2 - ITALKART	\$40.31
5	AR665	REAR TORSION BAR 410mm x 28mm DD2	\$38.27
6	ITL138	HIGH FRONT BUMPER-CIK/2003-ITALKART	\$34.10
7	ITL140	LOW FRONT BUMPER-CIK/2003-ITALKART	\$16.91
8	ITL142DX	RIGHT SIDE BUMPER FOR SIDE POD-UNICO-CIK/2003-ITALKART	\$52.03
9	ITL142SX	LEFT SIDE BUMPER FOR SIDE POD UNICO-CIK/2003-ITALKART	\$52.03
10	ITL143V	TEFLON COUPLING FOR SIDE POD - NEW STYLE	\$4.07
11	AR585	REAR BUMPER - DD2 - ITALKART	\$194.55
14	ITL357DX	25/8mm RIGHT SPINDLE 10.25 FOR 125cc - ITALKART	\$111.59
15	ITL357SX	25/8mm LEFT SPINDLE 10.25 FOR 125cc - ITALKART	\$111.59
16	FR366TT	FRONT WHEEL HB - L.75 FOR SPINDLE 25mm - 125cc ALUMINIUM	\$48.68
16	ITL187-4275	42x75mm Front Hub with Plastic insert - Italkart	\$44.70
17	MZ021TT	REAR HUB 40x95mm - 8mm KEY - TITANIUM	\$45.15
18	ITL007-40A	40X1040 Axle Soft A/Universal- Italkart	\$80.23
18	ITL007-40B	40X1040 Axle Medium B/Universal- Italkart	\$92.35
18	ITL007-40C	40X1040 Axle Hard C/Universal- Italkart	\$76.08
19	GC018TT	BEARING CASSETTE 40MM - FOUR HOLES CLAMPING - ANODIZED TITANIUM	\$42.92
21	PD060TT	40mm ERGAL FLOATING BRAKE DISC SUPPORT - ITALKART DD2	\$53.82
23	PM075	MOTORMOUNT 30mm - DD2 H25 STEEL	\$19.82
24	ITL368-DD2	Steering Column for DD2 Chassis 500mm with splined end ****D lenght 85	\$86.51
25	ITL392-290TT	STEERING TIE-ROD HEXAGONAL 290MM-ITALKART - ANODIZED TT	\$11.72
27	ITL502MGV	MAGNESIUM VENTED FRONT WHEEL 130mm 3- BOLT	\$53.70
29	ST052TT	100cc STEERING HUB - ANODIZED TT	\$22.64
30	ITL376	ITALKART STEERING WHEEL - RED/YELLOW	\$132.00
31	ITL154	FUEL TANK 100/125CC - ITALKART	\$52.55
32	ITL314	FIBERGLASS REINFORCED RESIN SEAT FLAT BOTTOM-SIZE 1-ITALKART	\$79.25
32	ITL316	FIBERGLASS REINFORCED RESIN SEAT FLAT BOTTOM - SIZE 2-ITALKART	\$79.25
32	ITL318	FIBERGLASS REINFORCED RESIN SEAT FLAT BOTTOM - SIZE 3-ITALKART	\$79.25
32	ITL320	FIBERGLASS REINFORCED RESIN SEAT FLAT BOTTOM-SIZE-4 ITALKART	\$79.25
33	ITL326-320	320mm SEAT STRUT - ITALKART	\$13.21
34	ITL326-340	340mm SEAT STRUT-ITALKART	\$13.21
35	ITL030W	NOSE CONE - UNICO - WHITE - ITALKART	68.82
36	ITL032W	WHITE SIDE POD UNICO - UNICO - ITALKART	\$42.06
36	ITL032Y	YELLOW SIDE POD UNICO - UNICO - ITALKART	\$42.06
37	ITL024W	WHITE NASAU PANEL - UNICO - ITALKART	\$46.52
37	ITL024Y	YELLOW NASAU PANEL - UNICO - ITALKART	\$46.52
38	ITL286	RIGHT PEDAL-ITALKART	\$33.20
39	ITL284	LEFT PEDAL-ITALKART	\$29.35
40	ITL076	BRAKE ROD (125cc)-ITALKART 340mm	\$7.85
41	ITL079A	BRAKE BIAS ADJUSTER - NEW STYLE - ITALKART	\$84.05
43	ITL506MGV	MAGNESIUM VENTED REAR WHEEL 210mm	\$62.45
44	AR197ALTT	28mm TIGHTENING BELT - REINFORCED -TITANIUM	\$9.19
45	AR403AL/TT	30mm REINFORCED TORSION BAR CLAMP- ITALKART	\$8.59
46	IM222	IM NASAU PANEL BRACKET WITH SUPPORTS	\$49.50
46	ITL022	UPPER SUPPORT FOR NASAU PANEL - ITALKART	\$20.99
47	ITL020	LOWER SUPPORT FOR NASAU PANEL HIGH MODEL - ITALKART	\$13.07
48	ITL026	NOSE CONE FLANGE - RED - ITALKART	\$11.94
48	ITL028	NOSE CONE SNAP HOOKS - ITALKART	\$37.04
49	ITL386	STEERING COLUMN SUPPORT - NYLON WITH 2 HOLES - RED - ITALKART	\$6.32
50	ST001	STEERING COLUMN LOCK - ANODIZED GOLD	\$6.43
52	ITL274	COMPLETE EXHAUST CRADLE - ITALKART	\$18.78
55	AR581	LONG SUPPORT FOR SILENCER - DD2 - ITALKART	\$43.77

Figure	Part Number	Description	Retail Price
56	ITL150	CHAIN GUARD SUPPORT-ITALKART	\$7.56
58	ITL378DX	RIGHT MALE TIE-ROD END - ITALKART	\$17.45
59	ITL378SX	LEFT MALE TIE ROD END- ITALKART	\$17.45
61	PM031TT	UNIVERSAL BUTTERFLY ENGINE BRACKETS	\$12.82
64	FR038TT	HUB SUPPORT 125c for 25mm SPINDLE - TT	\$56.22
70	PM076	MOTORMOUNT 30mm - DD2 H18 STEEL	\$20.97
71	AR579	SHORT SILENCER SUPPORT - (DD2)	\$43.56
72	AR666	30mm FUEL PUMP SUPPORT KIT -DD2	\$26.10
73	GT050	LOWER RADIATOR PLATE SUPPORT - DD2	\$11.71
74	GT051	HIGH RADIATOR SUPPORT - DD2	\$17.07

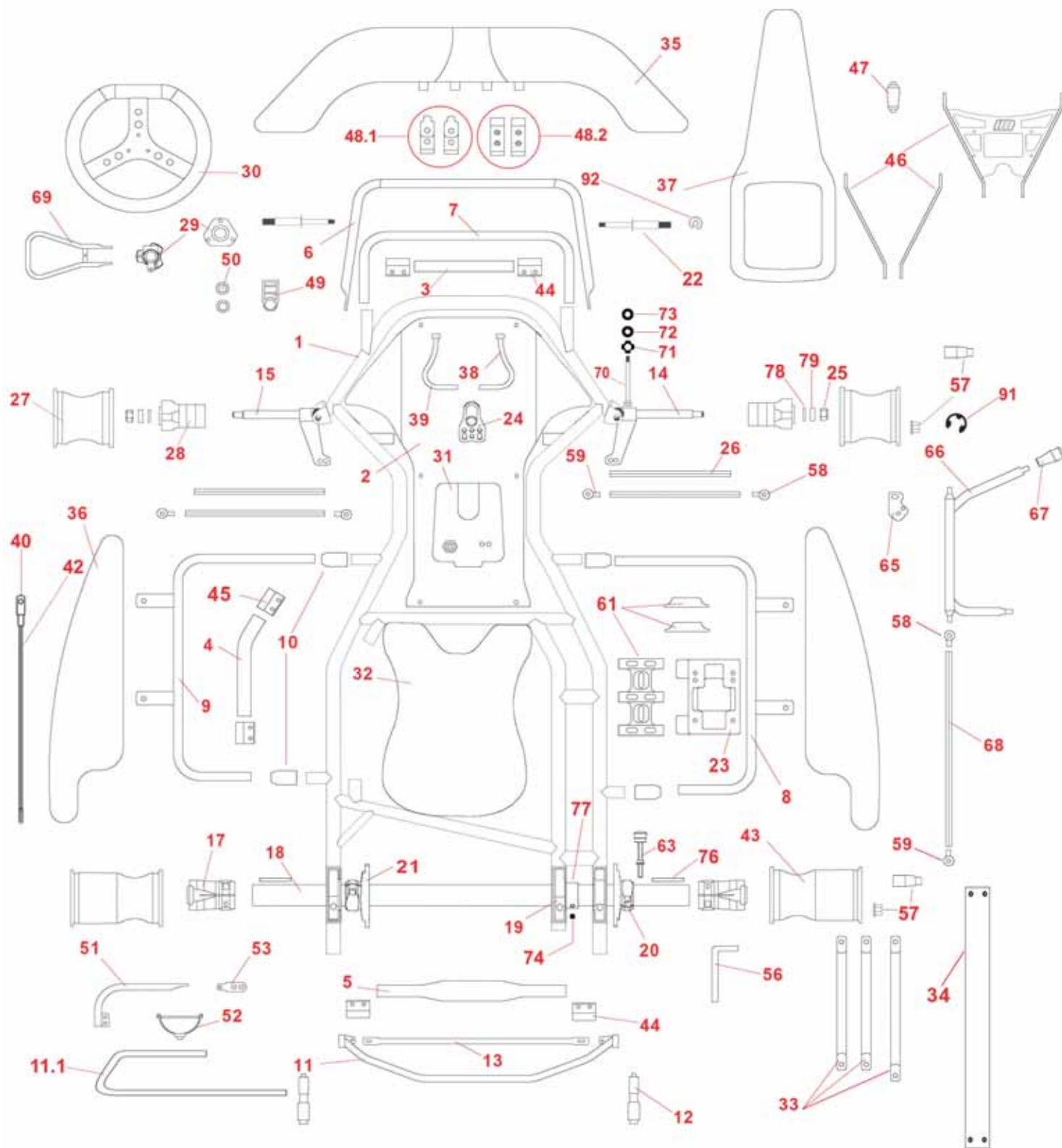
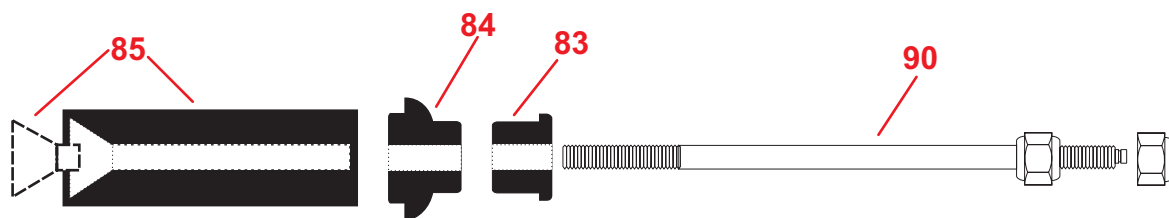


Figure	Part Number	Description	Retail Price
2	ITL282TT	FLOOR PLATE- ELITE- ITALKART	\$110.04
3	ITL265E	FRONT TORSION BAR- ELITE- ITALKART	\$48.00
4	ITL262E	SIDE TORSION BAR- ELITE- ITALKART	\$40.31
5	ITL264-490	REAR TORSION BAR 490MM- ITALKART	\$40.31
6	ITL138	HIGH FRONT BUMPER-CIK/2003-ITALKART	\$34.10
7	ITL140	LOW FRONT BUMPER-CIK/2003-ITALKART	\$16.91
8	ITL142DX	RIGHT SIDE BUMPER FOR SIDE POD-UNICO-CIK/2003-ITALKART	\$52.03
9	ITL142SX	LEFT SIDE BUMPER FOR SIDE POD UNICO-CIK/2003-ITALKART	\$52.03
10	ITL143V	TEFLON COUPLING FOR SIDE POD - NEW STYLE	\$4.07
11	ITL126	REAR BUMPER WITH SILENCER HOLDER - ITALKART	\$48.58
11	ITL127	REAR BUMPER - ITALKART	\$38.05
11	ITL128	COMPLETE REAR BUMPER ASSEMBLY W/EARS - ITALKART	\$109.64
11	ITL132	REAR BUMPER CENTRAL BODY - HIGH MODEL	\$44.07
11	ITL136	REAR BUMPER TEFLON CONNECTION BUSHING - ITALKART	\$15.64
11.1	ITL146	LEFT/RIGHT WHEEL PROTECTION WITH JOINT (STANDARD/HIGH)	\$30.61
12	AR027TT	REAR BUMPER SUPPORT KIT 30mm - TT - BOLT, NUT & RUBBER BUSHING	\$21.05
13	ITL122	610mm REAR BUMPER ROD WITH GROOVES-ITALKART	\$20.09
14	ITL346DX	PR1 RIGHT SPINDLE FOR 100CC-ITALKART	\$85.42
14	ITL347DX	PR2 RIGHT SPINDLE FOR 100CC - ITALKART	\$79.51
15	ITL346SX	PR1 LEFT SPINDLE FOR 100CC-ITALKART	\$85.42
15	ITL347SX	PR2 LEFT SPINDLE FOR 100CC-ITALKART	\$79.51
17	MZ017TT	REAR HUB 40x65mm - 8mm KEY - TITANIUM	\$32.67
17	MZ018TT	REAR HUB W/REMOVEAVLE RING - 40 x 65 mm - ANODIZED TITANIUM	\$37.75
17	MZ019TT	REAR HUB 40x75mm - 8mm KEY - ANOD. TITANIUM	\$34.21
17	MZ021TT	REAR HUB 40x95mm - 8mm KEY - TITANIUM	\$45.15
17	MZ023TT	REAR HUB 40x125mm - ANODIZED TITANIUM	\$50.86
17	MZ026TT	REAR HUB 50x95mm - 8mm KEY - TITANIUM	\$48.73
17	MZ027TT	REAR HUB 50x125mm - 8mm KEY - TITANIUM	\$46.43
17	MZ032TT	REAR HUB 50x75mm - 8mm KEY - ANODIZED TITANIUM	\$36.61
18	ITL002-40A	50X1040 Axle Soft A/100cc- Italkart	\$80.32
18	ITL002-40B	50X1040 Axle Medium B/100cc- Italkart	\$88.00
18	ITL002-40C	50X1040 Axle Hard C/100cc- Italkart	\$88.00
18	ITL007-40A	40X1040 Axle Soft A/Universal- Italkart	\$80.23
18	ITL007-40B	40X1040 Axle Medium B/Universal- Italkart	92.35
18	ITL007-40C	40X1040 Axle Hard C/Universal- Italkart	\$76.08
18	ITL008-20A	50X1020 Axle Soft A/125cc- Italkart	\$167.46
18	ITL008-40B	50X1040 Axle Medium B/125cc- Italkart	\$96.00
18	ITL008-40C	50X1040 Axle Hard C/125cc- Italkart	\$96.00
19	GC014TT	CASSETTE 50mm- ELITE/ QUATTRO	\$43.70
19	GC018TT	BEARING CASSETTE 40MM - FOUR HOLES CLAMPING - ANODIZED TITANIUM	\$42.92
20	PC012TT	40mm SPROCKET CARRIER - H.Q. - ANOD. TITANIUM	\$68.37
20	PC013TT	50mm SPROCKET CARRIER - H.Q. - ANOD. TITANIUM	\$51.58
21	PD40HT	BRAKE DISC CARRIER 40mm HQ - ANOD. TITANIUM	\$47.74
21	PD50HQ-TT	BRAKE DISC CARRIER 50mm - H.Q. ANODIZED TITANIUM	\$47.74
22	ITL288	PEDAL BOLT - ITALKART	\$7.61
23	ITL600	COMPLETE MOTOR MOUNT KIT (INCLUDES BUTTERFLY BRACKETS) 30X92MM ***GOLD MAGNESIUM	\$120.00
24	ITL368	470MM STEERING COLUMN 100CC/125CC- ITALKART. *****For Rapido, Supersonic and 06 or older Elite and Quattro *****D lenght 62	\$46.38
25	ITL248	HUB NUT-ITALKART	\$5.63
26	ST034TT	TIE ROD 270mm HEXAGONAL - ANODIZED TITANIUM	\$11.33
27	ITL500	ALUINIUM FRONT WHEEL WITH BEARINGS- FOR 17mm SPINDLE- ITALKART	\$59.30
27	ITL502	FRONT WHEEL - 3 BOLT PATTERN - ITALKART	\$42.32
27	ITL502MGV	MAGNESIUM VENTED FRONT WHEEL 130mm 3- BOLT	\$53.70

Figure	Part Number	Description	Retail Price
28	MZ015TT	FRONT HUB 100cc - 58mm - ANODIZED TITANIUM	\$36.40
28	MZ033TT	FRONT HUB FOR 100cc - 95mm - ANODIZED TITANIUM	\$46.88
28	MZ036	FRONT HUB FOR 100cc - 75mm - ANODIZED GOLD	\$39.13
29	MMV125/IT	ANGLE STEERING HUB FOR 125cc TITANIUM	\$43.02
29	ST052TT	100cc STEERING HUB - ANODIZED TT	\$22.64
29	ST053TT	125cc STEERING HUB - ANODIZED TT	\$39.09
29	ST056TT	100cc TILTED STEERING HUB - ANODIZED TITANIUM	\$49.17
30	ITL376	ITALKART STEERING WHEEL - RED/YELLOW	\$132.00
31	ITL154	FUEL TANK 100/125CC - ITALKART	\$52.55
31	ITL158	FUEL TANK CAP-ITALKART	\$3.94
31	ITL160	FUEL TANK WING NUT CONNECTION-ITALKART	\$3.36
31	ITL162	GAS CAP WASHER	\$8.49
32	ITL314	FIBERGLASS REINFORCED RESIN SEAT FLAT BOTTOM-SIZE 1-ITALKART	\$79.25
32	ITL316	FIBERGLASS REINFORCED RESIN SEAT FLAT BOTTOM - SIZE 2-ITALKART	\$79.25
32	ITL318	FIBERGLASS REINFORCED RESIN SEAT FLAT BOTTOM - SIZE 3-ITALKART	\$79.25
32	ITL320	FIBERGLASS REINFORCED RESIN SEAT FLAT BOTTOM-SIZE-4 ITALKART	\$79.25
33	ITL326-230	230mm SEAT STRUT / RADIATOR BRACKET	\$20.49
33	ITL326-300	300mm SEAT STRUT	\$13.21
33	ITL326-320	320mm SEAT STRUT - ITALKART	\$13.21
33	ITL326-340	340mm SEAT STRUT-ITALKART	\$13.21
33	ITL326-360	360mm SEAT STRUT-ITALKART	\$13.21
33	ITL326-400	400mm SEAT STRUT-ITALKART	\$13.21
34	ITL148	PLASTIC CHAIN GUARD - ITALKART	\$5.28
35	ITL030	NOSE CONE - UNICO - YELLOW - ITALKART	\$68.82
36	ITL032W	WHITE SIDE POD UNICO - UNICO - ITALKART	\$42.06
36	ITL032Y	YELLOW SIDE POD UNICO - UNICO - ITALKART	42.06
37	ITL024W	WHITE NASAU PANEL - UNICO - ITALKART	\$46.52
37	ITL024Y	YELLOW NASAU PANEL - UNICO - ITALKART	\$46.52
38	ITL286	RIGHT PEDAL-ITALKART	\$33.20
39	ITL284	LEFT PEDAL-ITALKART	\$29.35
40	ITL077	BRAKE ROD FORK W/CLIP - SHORT - ITALKART	\$5.23
40	ITL078	BRAKE ROD FORK ASSEMBLY - LONG - ITALKART	\$6.62
42	FR098	BRAKE ROD - M6 x 550mm	\$8.09
43	ITL504	180mm ALUM. REAR WHEEL - ITALKART	\$50.37
43	ITL504MGV	MAGNESIUM VENTED REAR WHEEL 180mm	\$62.45
43	ITL506	210mm ALUM. REAR WHEEL - ITALKART	\$52.57
43	ITL506MGV	MAGNESIUM VENTED REAR WHEEL 210mm	\$62.45
44	AR197ALTT	28mm TIGHTENING BELT - REINFORCED -TITANIUM	\$9.19
45	AR403AL/TT	30mm REINFORCED TORSION BAR CLAMP- ITALKART	\$8.59
46	IM222	IM NASAU PANEL BRACKET WITH SUPPORTS	\$49.50
46	ITL022	UPPER SUPPORT FOR NASAU PANEL - ITALKART	\$20.99
47	ITL020	LOWER SUPPORT FOR NASAU PANEL HIGH MODEL - ITALKART	\$13.07
48.1	ITL028	NOSE CONE SNAP HOOKS - ITALKART	\$37.04
48.2	ITL026	NOSE CONE FLANGE - RED - ITALKART	\$11.94
49	ITL384	STEERING COLUMN SUPPORT - NYLON - WITH 1 HOLE -RED-ITALKART	\$6.92
49	ITL386	STEERING COLUMN SUPPORT - NYLON WITH 2 HOLES - RED - ITALKART	\$6.32
51	ITL272	CURVED SILENCER HOLDER-ITALKART	\$48.83
52	ITL274	COMPLETE EXHAUST CRADLE - ITALKART	\$18.78
54	ITL268	CHROME PLATED SILENCER SUPPORT - LONG TYPE-ITALKART	\$18.78
55	ITL270	CHROME PLATED SILENCER SUPPORT - SHORT TYPE-ITALKART	\$19.64
56	ITL150	CHAIN GUARD SUPPORT-ITALKART	\$7.56
57	ITL249	CIK WHEEL NUT	\$1.28
58	ITL378DX	RIGHT MALE TIE-ROD END - ITALKART	\$17.45
59	ITL378SX	LEFT MALE TIE ROD END- ITALKART	\$17.45

Figure	Part Number	Description	Retail Price
61	ITL606	BRACKET FOR MOTOR MOUNT - 30 x 92mm - ITALKART	\$9.93
63	ITL280	ENGINE STOPPER BOLT-ITALKART	\$13.35
65	ITL370	ITALKART UPPER SHIFTER SUPPORT ASSEMBLY	\$68.00
66	ITL252	Gear Shift lever with 8mm studs - ITALKART	\$39.55
67	ITL254	125CC GEAR LEVER HANDLE - ITALKART	\$13.40
68	ITL256	SHIFT ROD - ITALKART	\$14.65
69	ITL250	125CC CLUTCH LEVER - ITALKART	\$19.00
71	ITL340-08	UPPER NORMAL STRAIGHT WASHER FOR 8mm SPINDLE BOLT- ITALKART	\$8.35
71	ITL342-08	LOWER ADJUSTABLE CASTER PILL FOR 8mm SPINDLE BOLT - ITALKART	\$6.34
71	ITL360-08	SPINDLE BOLT - ITALKART	\$7.87
71	ITL362SX-08	Upper Adjustable Caster Pill for 8mm Spindle Bolt - Italkart Left	\$11.63
71	ITL362DX-08	Upper Adjustable Caster Pill for 8mm Spindle Bolt - Italkart Right	\$11.63
72	ITL364-08	SPINDLE HEIGHT ADJUSTMENT WASHER 20x8x3.9mm	\$1.81
73	ITL338-08	8mm LOWER NORMAL STRAIGHT WASHER SPINDLE SCREW-ITALKART	\$7.37
74	ITL017	SET SCREW FOR ROLLER	\$1.71
75	ITL011	KEYWAY 8X5X60mm - ITALKART	7.26
75	ITL016	3 PEG KEY FOR 125 SPROCKET - ITALKART	\$9.71
76	ITL011	KEYWAY 8X5X60mm - ITALKART	\$7.26
76	ITL014	2 PEG KEY 7.5x34mm - ITALKART	\$7.56
77	CU004	AXLE BEARING 40mm	\$33.20
77	CU006	AXLE ROLLER RHP - SPECIAL 40mm	\$46.18
77	ITL018	AXLE BEARING 50mm -ITALKART	\$69.79
77	ITL019	AXLE BEARING 50MM -ITALKART STANDARD	\$34.62
78	ITL336	5mm SPINDLE SPACING-ITALKART	\$2.03
79	ITL334	10mm SPINDLE SPACER-ITALKART	\$2.85
83	AR035AL/TT	EXTERNAL BUMPER BUSHING - ANODIZED TITANIUM	\$2.84
84	AR033AL/TT	INTERNAL BUMPER BUSHING - 30MM ANODIZED TITANIUM	\$3.15
85	ITL114	30mm RUBBER BUMPER BUSHING WITH SCREW - ITALKART	\$4.62
90	ITL130	REAR BUMPER BOLT - ITALKART	\$13.35
91	ITL333	SPINDLE SAFETY CIRCLIP	\$1.24
92	PP013	CIRCLIP	\$0.17



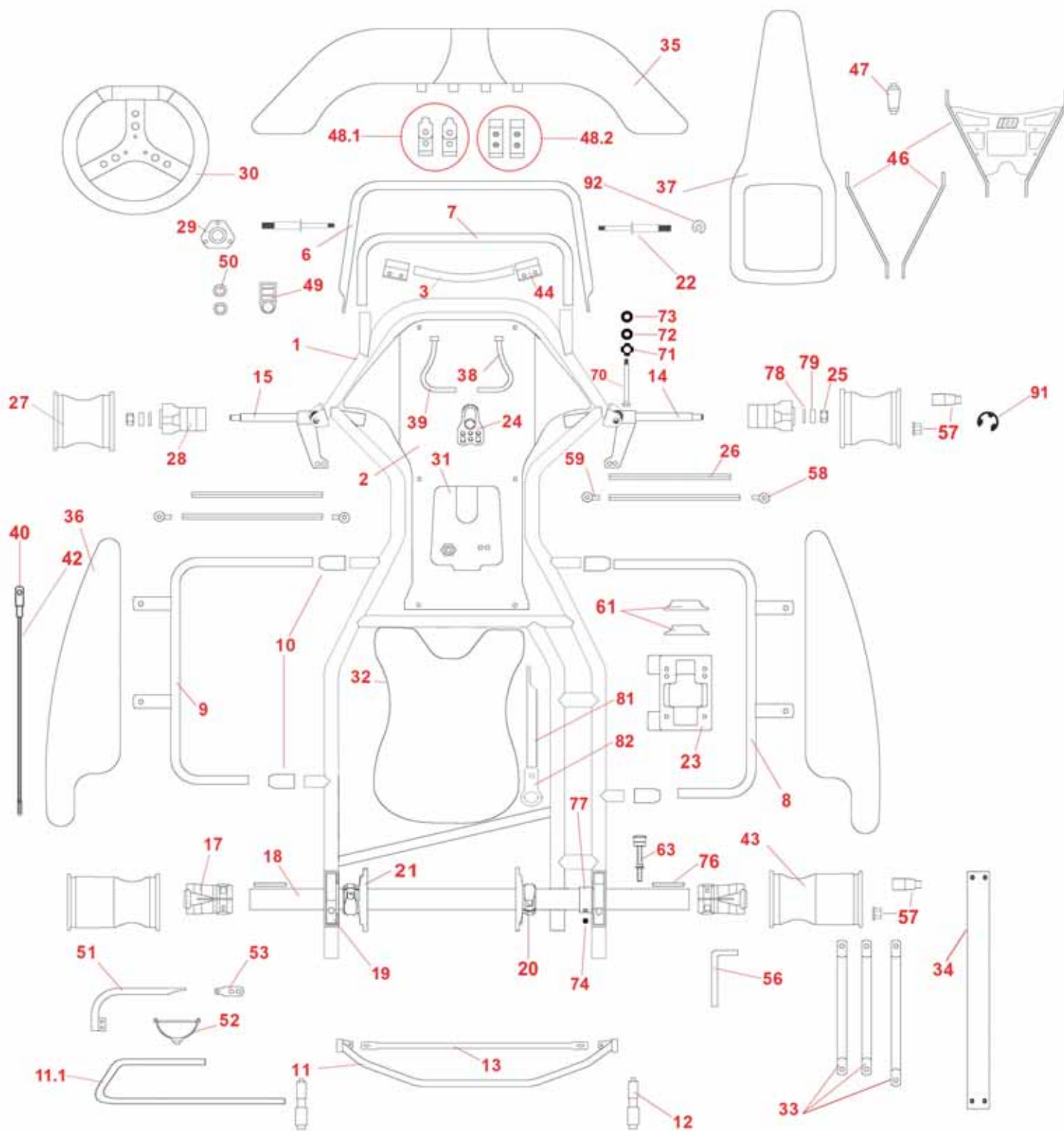


Figure	Part Number	Description	Retail Price
2	ITL282TT	FLOOR PLATE- ELITE- ITALKART	\$110.04
3	ITL265Q	FRONT TORSION BAR- QUATTRO- ITALKART	\$48.00
6	ITL138	HIGH FRONT BUMPER-CIK/2003-ITALKART	\$34.10
7	ITL140	LOW FRONT BUMPER-CIK/2003-ITALKART	\$16.91
8	ITL142DX	RIGHT SIDE BUMPER FOR SIDE POD-UNICO-CIK/2003-ITALKART	\$52.03
9	ITL142SX	LEFT SIDE BUMPER FOR SIDE POD UNICO-CIK/2003-ITALKART	\$52.03
10	ITL143V	TEFLON COUPLING FOR SIDE POD - NEW STYLE	\$4.07
11	ITL126	REAR BUMPER WITH SILENCER HOLDER - ITALKART	\$48.58
11	ITL127	REAR BUMPER - ITALKART	\$38.05
11	ITL128	COMPLETE REAR BUMPER ASSEMBLY W/EARS - ITALKART	\$109.64
11	ITL132	REAR BUMPER CENTRAL BODY - HIGH MODEL	\$44.07
11	ITL136	REAR BUMPER TEFLON CONNECTION BUSHING - ITALKART	\$15.64
11.1	ITL146	LEFT/RIGHT WHEEL PROTECTION WITH JOINT (STANDARD/HIGH)	\$30.61
12	AR027TT	REAR BUMPER SUPPORT KIT 30mm - TT - BOLT, NUT & RUBBER BUSHING	\$21.05
13	ITL122	610mm REAR BUMPER ROD WITH GROOVES-ITALKART	\$20.09
14	ITL346DX	PR1 RIGHT SPINDLE FOR 100CC-ITALKART	\$85.42
14	ITL347DX	PR2 RIGHT SPINDLE FOR 100CC - ITALKART	\$79.51
15	ITL346SX	PR1 LEFT SPINDLE FOR 100CC-ITALKART	\$85.42
15	ITL347SX	PR2 LEFT SPINDLE FOR 100CC-ITALKART	\$79.51
17	MZ017TT	REAR HUB 40x65mm - 8mm KEY - TITANIUM	\$32.67
17	MZ018TT	REAR HUB W/REMOVEAVLE RING - 40 x 65 mm - ANODIZED TITANIUM	\$37.75
17	MZ019TT	REAR HUB 40x75mm - 8mm KEY - ANOD. TITANIUM	\$34.21
17	MZ021TT	REAR HUB 40x95mm - 8mm KEY - TITANIUM	\$45.15
17	MZ023TT	REAR HUB 40x125mm - ANODIZED TITANIUM	\$50.86
17	MZ026TT	REAR HUB 50x95mm - 8mm KEY - TITANIUM	\$48.73
17	MZ027TT	REAR HUB 50x125mm - 8mm KEY - TITANIUM	\$46.43
17	MZ032TT	REAR HUB 50x75mm - 8mm KEY - ANODIZED TITANIUM	\$36.61
18	ITL002-40A	50X1040 Axle Soft A/100cc- Italkart	\$80.32
18	ITL002-40B	50X1040 Axle Medium B/100cc- Italkart	\$88.00
18	ITL002-40C	50X1040 Axle Hard C/100cc- Italkart	\$88.00
18	ITL007-40A	40X1040 Axle Soft A/Universal- Italkart	\$80.23
18	ITL007-40B	40X1040 Axle Medium B/Universal- Italkart	\$92.35
18	ITL007-40C	40X1040 Axle Hard C/Universal- Italkart	\$76.08
18	ITL008-20A	50X1020 Axle Soft A/125cc- Italkart	167.46
18	ITL008-40B	50X1040 Axle Medium B/125cc- Italkart	\$96.00
18	ITL008-40C	50X1040 Axle Hard C/125cc- Italkart	\$96.00
19	GC014TT	CASSETTE 50mm- ELITE/ QUATTRO	\$43.70
19	GC018TT	BEARING CASSETTE 40MM - FOUR HOLES CLAMPING - ANODIZED TITANIUM	\$42.92
20	PC012TT	40mm SPROCKET CARRIER - H.Q. - ANOD. TITANIUM	\$68.37
20	PC013TT	50mm SPROCKET CARRIER - H.Q. - ANOD. TITANIUM	\$51.58
21	PD40HT	BRAKE DISC CARRIER 40mm HQ - ANOD. TITANIUM	\$47.74
21	PD50HQ-TT	BRAKE DISC CARRIER 50mm - H.Q. ANODIZED TITANIUM	\$47.74
22	ITL288	PEDAL BOLT - ITALKART	\$7.61
23	ITL600	COMPLETE MOTOR MOUNT KIT (INCLUDES BUTTERFLY BRACKETS) 30X92MM ***GOLD MAGNESIUM	\$120.00
24	ITL368	470MM STEERING COLUMN 100CC/125CC- ITALKART. *****For Rapido, Supersonic and 06 or older Elite and Quattro *****D lenght 62	\$46.38
25	ITL168	SPINDLE NUT-ITALKART	\$2.33
25	ITL248	HUB NUT-ITALKART	\$5.63
26	ST034TT	TIE ROD 270mm HEXAGONAL - ANODIZED TITANIUM	\$11.33
27	ITL500	ALUINIUM FRONT WHEEL WITH BEARINGS- FOR 17mm SPINDLE- ITALKART	\$59.30
27	ITL502	FRONT WHEEL - 3 BOLT PATTERN - ITALKART	\$42.32
27	ITL502MGV	MAGNESIUM VENTED FRONT WHEEL 130mm 3- BOLT	\$53.70

28	MZ015TT	FRONT HUB 100cc - 58mm - ANODIZED TITANIUM	\$36.40
28	MZ033TT	FRONT HUB FOR 100cc - 95mm - ANODIZED TITANIUM	\$46.88
28	MZ036	FRONT HUB FOR 100cc - 75mm - ANODIZED GOLD	\$39.13
29	ST052TT	100cc STEERING HUB - ANODIZED TT	\$22.64
29	ST056TT	100cc TILTED STEERING HUB - ANODIZED TITANIUM	\$49.17
30	ITL376	ITALKART STEERING WHEEL - RED/YELLOW	\$132.00
31	ITL154	FUEL TANK 100/125CC - ITALKART	\$52.55
31	ITL158	FUEL TANK CAP-ITALKART	\$3.94
31	ITL160	FUEL TANK WING NUT CONNECTION-ITALKART	\$3.36
31	ITL162	GAS CAP WASHER	\$8.49
32	ITL314	FIBERGLASS REINFORCED RESIN SEAT FLAT BOTTOM - SIZE 1-ITALKART	\$79.25
32	ITL316	FIBERGLASS REINFORCED RESIN SEAT FLAT BOTTOM - SIZE 2-ITALKART	\$79.25
32	ITL318	FIBERGLASS REINFORCED RESIN SEAT FLAT BOTTOM - SIZE 3-ITALKART	\$79.25
32	ITL320	FIBERGLASS REINFORCED RESIN SEAT FLAT BOTTOM - SIZE-4 ITALKART	\$79.25
33	ITL326-230	230mm SEAT STRUT / RADIATOR BRACKET	\$20.49
33	ITL326-300	300mm SEAT STRUT	\$13.21
33	ITL326-320	320mm SEAT STRUT-ITALKART	\$13.21
33	ITL326-340	340mm SEAT STRUT-ITALKART	\$13.21
33	ITL326-360	360mm SEAT STRUT-ITALKART	\$13.21
33	ITL326-400	400mm SEAT STRUT-ITALKART	\$13.21
34	ITL148	PLASTIC CHAIN GUARD - ITALKART	\$5.28
35	ITL030	NOSE CONE - UNICO - YELLOW - ITALKART	\$68.82
36	ITL032W	WHITE SIDE POD UNICO - UNICO - ITALKART	\$42.06
36	ITL032Y	YELLOW SIDE POD UNICO - UNICO - ITALKART	\$42.06
37	ITL024W	WHITE NASAU PANEL - UNICO - ITALKART	\$46.52
37	ITL024Y	YELLOW NASAU PANEL - UNICO - ITALKART	\$46.52
38	ITL286	RIGHT PEDAL-ITALKART	\$33.20
39	ITL284	LEFT PEDAL-ITALKART	\$29.35
40	ITL077	BRAKE ROD FORK W/CLIP - SHORT - ITALKART	\$5.23
40	ITL078	BRAKE ROD FORK ASSEMBLY - LONG - ITALKART	\$6.62
42	FR098	BRAKE ROD - M6 x 550mm	\$8.09
43	ITL504	180mm ALUM. REAR WHEEL - ITALKART	\$50.37
43	ITL504MGV	MAGNESIUM VENTED REAR WHEEL 180mm	\$62.45
43	ITL506	210mm ALUM. REAR WHEEL - ITALKART	\$52.57
43	ITL506MGV	MAGNESIUM VENTED REAR WHEEL 210mm	\$62.45
44	AR197ALTT	28mm TIGHTENING BELT - REINFORCED -TITANIUM	\$9.19
46	IM222	IM NASAU PANEL BRACKET WITH SUPPORTS	\$49.50
46	ITL022	UPPER SUPPORT FOR NASAU PANEL - ITALKART	\$20.99
47	ITL020	LOWER SUPPORT FOR NASAU PANEL HIGH MODEL - ITALKART	\$13.07
48.1	ITL028	NOSE CONE SNAP HOOKS - ITALKART	\$37.04
48.2	ITL026	NOSE CONE FLANGE - RED - ITALKART	\$11.94
49	ITL384	STEERING COLUMN SUPPORT - NYLON - WITH 1 HOLE -RED-ITALKART	\$6.92
49	ITL386	STEERING COLUMN SUPPORT - NYLON WITH 2 HOLES - RED - ITALKART	\$6.32
51	ITL272	CURVED SILENCER HOLDER-ITALKART	\$48.83
52	ITL274	COMPLETE EXHAUST CRADLE - ITALKART	\$18.78
54	ITL268	CHROME PLATED SILENCER SUPPORT - LONG TYPE-ITALKART	\$18.78
55	ITL270	CHROME PLATED SILENCER SUPPORT - SHORT TYPE-ITALKART	\$19.64
56	ITL150	CHAIN GUARD SUPPORT-ITALKART	\$7.56
57	ITL249	CIK WHEEL NUT	\$1.28
58	ITL378DX	RIGHT MALE TIE-ROD END - ITALKART	\$17.45
59	ITL378SX	LEFT MALE TIE ROD END- ITALKART	\$17.45
61	ITL606	BRACKET FOR MOTOR MOUNT - 30 x 92mm - ITALKART	\$9.93
63	ITL280	ENGINE STOPPER BOLT-ITALKART	\$13.35
71	ITL340-08	UPPER NORMAL STRAIGHT WASHER FOR 8mm SPINDLE BOLT- ITALKART	\$8.35

71	ITL342-08	LOWER ADJUSTABLE CASTER PILL FOR 8mm SPINDLE BOLT - ITALKART	\$6.34
71	ITL360-08	SPINDLE BOLT - ITALKART	\$7.87
71	ITL362SX-08	Upper Adjustable Caster Pill for 8mm Spindle Bolt - Italkart Left	\$11.63
71	ITL362DX-08	Upper Adjustable Caster Pill for 8mm Spindle Bolt - Italkart Right	\$11.63
72	ITL364-08	SPINDLE HEIGHT ADJUSTMENT WASHER 20x8x3.9mm	\$1.81
73	ITL338-08	8mm LOWER NORMAL STRAIGHT WASHER SPINDLE SCREW-ITALKART	\$7.37
74	ITL017	SET SCREW FOR ROLLER	\$1.71
75	ITL011	KEYWAY 8X5X60mm - ITALKART	\$7.26
75	ITL016	3 PEG KEY FOR 125 SPROCKET - ITALKART	\$9.71
76	ITL011	KEYWAY 8X5X60mm - ITALKART	\$7.26
76	ITL014	2 PEG KEY 7.5x34mm - ITALKART	\$7.56
77	CU004	AXLE BEARING 40mm	\$33.20
77	CU006	AXLE ROLLER RHP - SPECIAL 40mm	\$46.18
77	ITL018	AXLE BEARING 50mm -ITALKART	\$69.79
77	ITL019	AXLE BEARING 50MM -ITALKART STANDARD	\$34.62
78	ITL336	5mm SPINDLE SPACING-ITALKART	\$2.03
79	ITL334	10mm SPINDLE SPACER-ITALKART	2.85
81	AR232	SEAT SUPPORT FOR MINIKART/4-STROKE - 20x250mm	\$11.37
82	AR199AL/TT	REAR TORSION BAR CLAMP - 30mm - ANODIZED TITANIUM	\$40.91
83	AR035AL/TT	EXTERNAL BUMPER BUSHING - ANODIZED TITANIUM	\$2.84
84	AR033AL/TT	INTERNAL BUMPER BUSHING - 30MM ANODIZED TITANIUM	\$3.15
85	ITL114	30mm RUBBER BUMPER BUSHING WITH SCREW - ITALKART	\$4.62
90	ITL130	REAR BUMPER BOLT - ITALKART	\$13.35
91	ITL333	SPINDLE SAFETY CIRCLIP	\$1.24
92	PP013	CIRCLIP	\$0.17

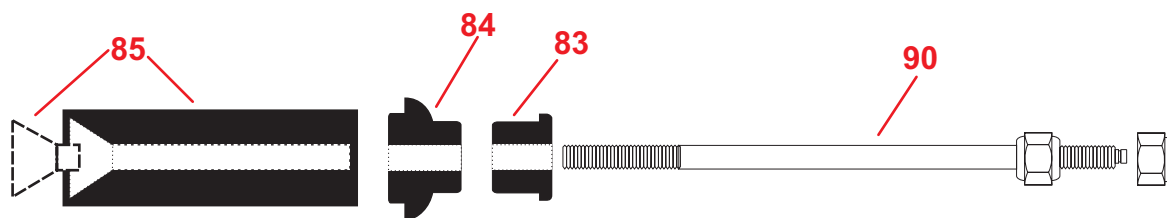
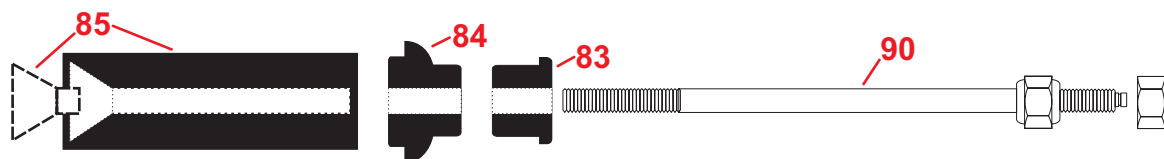
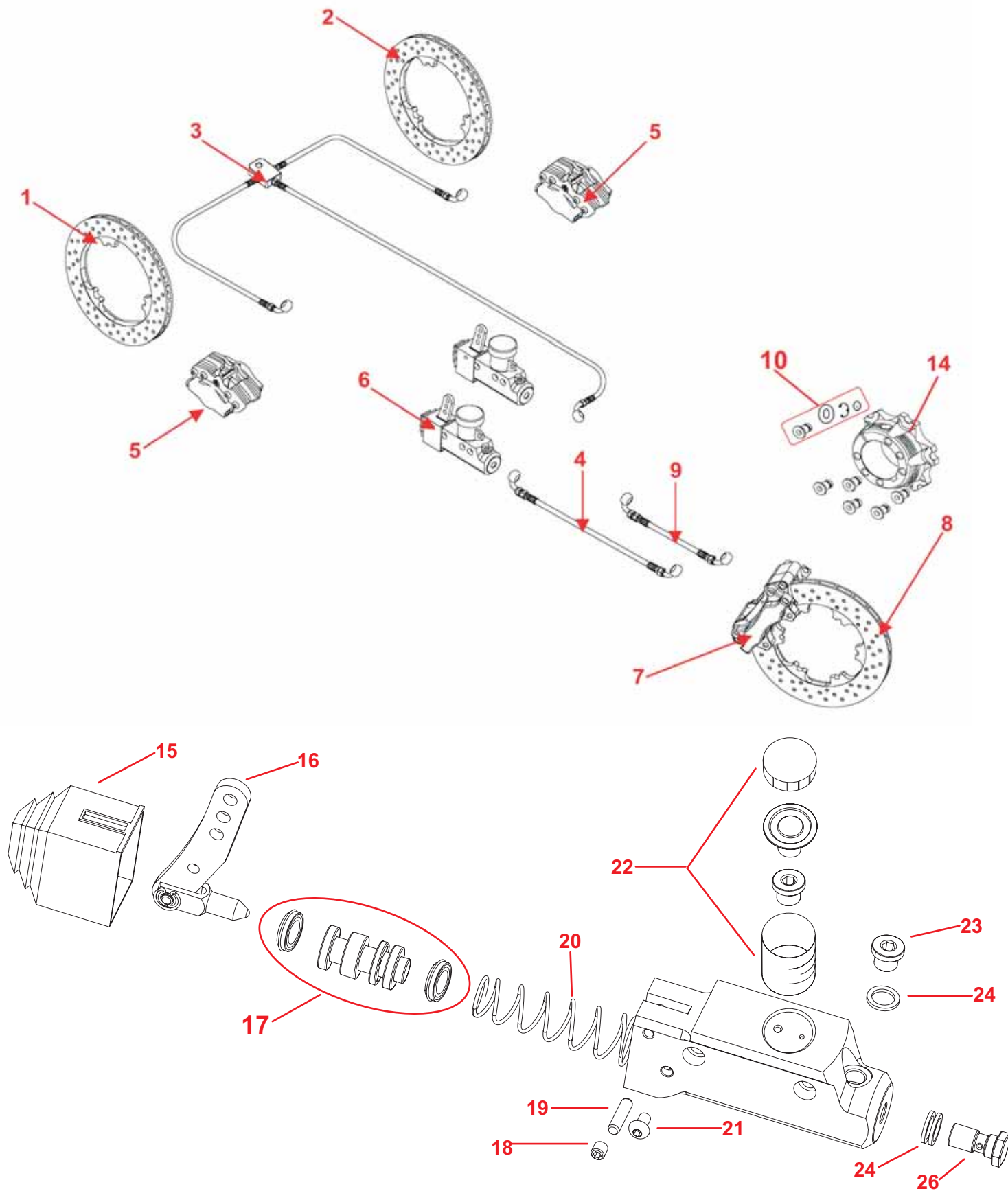


Figure	Part Number	Description	Retail Price
6	AR020	FRONT BUMPER - CADET	\$27.06
7	AR470	CADET LOW FRONT BUMPER- CIK/ 2003- ITALKART	\$15.22
8	AR010	CADET SIDE BUMPER - RIGHT	\$31.43
8	AR466	BABY/CADET RIGHT SIDE BUMPER FOR SIDE POD- UNICO- CIK- ITALKART	\$48.45
9	AR009	CADET SIDE BUMPER - LEFT	\$31.43
9	AR465	BABY/CADET LEFT SIDE BUMPER FOR SIDE POD UNICO- CIK- ITALKART	\$48.45
10	ITL143V	TEFLON COUPLING FOR SIDE POD - NEW STYLE	\$4.07
11	AR023	REAR BUMPER - CADET	\$31.75
11	AR476	BABY/CADET COMPLETE WIDE REAR BUMPER- ITALKART	\$78.54
12	AR026TT	BUMPER SUPPORT KIT 28mm - BOLT, NUT, RUBBER BUSHING - TT	\$21.05
13	AR576	REAR ROD FOR BUMPER - CADET 580mm	\$18.24
14	ST105DX	RIGHT SPINDLE FOR CADET- ITALKART	\$46.49
15	ST105SX	LEFT SPINDLE FOR CADET	\$46.69
17	MZ006TT	REAR HUB 30x75mm - 6/8mm KEY - ANODIZED TT	\$38.80
17	MZ010TT	REAR HUB 30x125mm - ANOD. TT - ITALKART..	\$45.31
17	MZ017TT	REAR HUB 40x65mm - 8mm KEY - TITANIUM	\$32.67
17	MZ018TT	REAR HUB W/REMOVEAVLE RING - 40 x 65 mm - ANODIZED TITANIUM	\$37.75
17	MZ019TT	REAR HUB 40x75mm - 8mm KEY - ANOD. TITANIUM	\$34.21
17	MZ021TT	REAR HUB 40x95mm - 8mm KEY - TITANIUM	\$45.15
17	MZ023TT	REAR HUB 40x125mm - ANODIZED TITANIUM	\$50.86
17	MZ055TT	30x65mm ALUMINUM WHEEL HUB- ITALKART	\$41.84
18	AX011	AXLE 30 x 1040mm - 6mm KEY	\$87.29
18	AX015	AXLE 40 x 2.90 x 1040mm TYPE B (MEDIUM)	\$79.32
18	AX016	AXLE 40 x 2.90 x 1040mm TYPE C (HARD)	\$79.61
18	AX040	AXLE 40 x 2.90 x 1040mm TYPE B (MEDIUM)-Universal 5 key	\$78.48
19	GC006TT	CASSETTE FOR 30mm- CADET	\$25.26
19	GC008TT	BEARING CASSETTE 40mm - ANODIZED TITANIUM	\$27.46
20	PC012TT	40mm SPROCKET CARRIER - H.Q. - ANOD. TITANIUM	\$68.37
20	PC30ST	30mm ALUMINUM SPROCKET SUPPORT- S1	\$51.44
20	PC50ST	40mm ALUMINUM SPROCKET SUPPORT- S1	\$46.87
21	PD40HT	BRAKE DISC CARRIER 40mm HQ - ANOD. TITANIUM	\$47.74
22	ITL288	PEDAL BOLT - ITALKART	\$7.61
23	ITL600	COMPLETE MOTOR MOUNT KIT (INCLUDES BUTTERFLY BRACKETS) 30X92MM ***GOLD MAGNESIUM	\$120.00
24	ST016	STEERING COLUMN - CADET 420mm	\$30.18
25	ITL248	HUB NUT-ITALKART	\$5.63
26	ST083TT	M8 X 230MM DRILLED HEX. STEERING TIE-ROD - AL - ANODIZED TITANIUM	\$10.28
27	CE001AL	SPINDLE MOUNT FRONT WHEEL - 115mm	\$44.70
28	ST023TT	TIE-ROD 220mm HEXAGONAL - ANODIZED TITANIUM	\$10.28
29	ST052TT	100cc STEERING HUB - ANODIZED TT	\$22.64
29	ST056TT	100cc TILTED STEERING HUB - ANODIZED TITANIUM	\$49.17
30	ITL376	ITALKART STEERING WHEEL - RED/YELLOW	\$132.00
31	AR067	3L FUEL TANK, CADET	\$23.57
31	AR440	CADET FUEL TANK CAP- ITALKART	\$1.31
32	AR057	FIBERGLASS SEAT - MINI	\$66.31
33	ITL326-230	230mm SEAT STRUT / RADIATOR BRACKET	\$20.49
33	ITL326-300	300mm SEAT STRUT	\$13.21
33	ITL326-320	320mm SEAT STRUT - ITALKART	\$13.21
33	ITL326-340	340mm SEAT STRUT-ITALKART	\$13.21
33	ITL326-360	360mm SEAT STRUT-ITALKART	\$13.21
33	ITL326-400	400mm SEAT STRUT-ITALKART	\$13.21
34	ITL148	PLASTIC CHAIN GUARD - ITALKART	\$5.28
35	AR006/GL	CADET NOSE CONE - YELLOW	\$42.21
35	AR008/GL	NOSE CONE-05 STYLE- YELLOW- ITALKART	\$65.96

Figure	Part Number	Description	Retail Price
36	AR001/GL	CADET SIDEPOD - YELLOW	\$40.58
36	AR460GLDX	BABY/CADET LEFT SIDE POD-05 STYLE- YELLOW- ITALKART	\$42.06
36	AR460GLSX	BABY/CADET RIGHT SIDE POD-05 STYLE- YELLOW- ITALKART	\$42.06
37	AR004/GL	CADET NASA PANEL - YELLOW	\$27.90
37	AR461GL	BABY/CADET NASAU PANEL - 05 STYLE- YELLOW- ITALKART	\$44.25
38	AR088	ACCELERATOR PEDAL - 100cc/125cc (99-01)	\$21.09
39	AR091	BRAKE PEDAL - 100cc/125cc (99-01)	\$21.09
40	ITL077	BRAKE ROD FORK W/CLIP - SHORT - ITALKART	\$5.23
40	ITL078	BRAKE ROD FORK ASSEMBLY - LONG - ITALKART	\$6.62
42	FR200	BRAKE ROD (CADET) ITALKART 270mm	\$8.09
43	CE012AL	REAR WHEEL ALUMINIUM - 145mm	\$42.64
46	IM222	IM NASAU PANEL BRACKET WITH SUPPORTS	\$49.50
46	ITL022	UPPER SUPPORT FOR NASAU PANEL - ITALKART	\$20.99
47	AR013	NASA PANEL LOWER BRACKET	\$6.04
47	AR477	CADET LOWER SUPPORT FOR NASAU PANEL 05 MODLE	\$26.74
48.1	ITL028	NOSE CONE SNAP HOOKS - ITALKART	\$37.04
48.2	ITL026	NOSE CONE FLANGE - RED - ITALKART	\$11.94
49	ITL384	STEERING COLUMN SUPPORT - NYLON - WITH 1 HOLE -RED-ITALKART	\$6.92
49	ITL386	STEERING COLUMN SUPPORT - NYLON WITH 2 HOLES - RED - ITALKART	\$6.32
52	ITL274	COMPLETE EXHAUST CRADLE - ITALKART	\$18.78
56	ITL150	CHAIN GUARD SUPPORT-ITALKART	\$7.56
57	ITL249	CIK WHEEL NUT	\$1.28
58	ITL378DX	RIGHT MALE TIE-ROD END - ITALKART	\$17.45
59	ITL378SX	LEFT MALE TIE ROD END- ITALKART	\$17.45
61	ITL606	BRACKET FOR MOTOR MOUNT - 30 x 92mm - ITALKART	\$9.93
63	ITL280	ENGINE STOPPER BOLT-ITALKART	\$13.35
71	ITL340-08	UPPER NORMAL STRAIGHT WASHER FOR 8mm SPINDLE BOLT - ITALKART	\$8.35
71	ITL342-08	LOWER ADJUSTABLE CASTER PILL FOR 8mm SPINDLE BOLT - ITALKART	\$6.34
71	ITL360-08	SPINDLE BOLT - ITALKART	\$7.87
71	ITL362SX-08	Upper Adjustable Caster Pill for 8mm Spindle Bolt - Italkart Left	\$11.63
71	ITL362DX-08	Upper Adjustable Caster Pill for 8mm Spindle Bolt - Italkart Right	\$11.63
72	ITL364-08	SPINDLE HEIGHT ADJUSTMENT WASHER 20x8x3.9mm	\$1.81
73	ITL338-08	8mm LOWER NORMAL STRAIGHT WASHER SPINDLE SCREW-ITALKART	\$7.37
74	ITL017	SET SCREW FOR ROLLER	\$1.71
75	CH002	AXLE KEYWAY 6x6x60mm	\$1.27
75	CH003	AXLE KEYWAY 6x6x80mm	\$1.97
76	ITL011	KEYWAY 8X5X60mm - ITALKART	\$7.26
77	CU002	AXLE BEARING 30mm	\$23.69
77	CU004	AXLE BEARING 40mm	\$33.20
77	CU006	AXLE ROLLER RHP - SPECIAL 40mm	\$46.18
77	CU013	AXLE BEARING 30mm- HIGH QUALITY	\$63.06
78	ITL336	5mm SPINDLE SPACING-ITALKART	\$2.03
79	ITL334	10mm SPINDLE SPACER-ITALKART	\$2.85
81	AR232	SEAT SUPPORT FOR MINIKART/4-STROKE - 20x250mm	\$11.37
82	AR198AL/TT	REAR TORSION BAR CLAMP - 28mm - ANODIZED - TITANIUM	\$30.96
83	AR035AL/TT	EXTERNAL BUMPER BUSHING - ANODIZED TITANIUM	\$2.84
84	AR032AL	INTERNAL BUMPER BUSHING - 28mm ANODIZED GOLD	\$3.15
85	AR029	RUBBER BUMPER BUSHING - 28mm	\$2.94
90	ITL130	REAR BUMPER BOLT - ITALKART	\$13.35





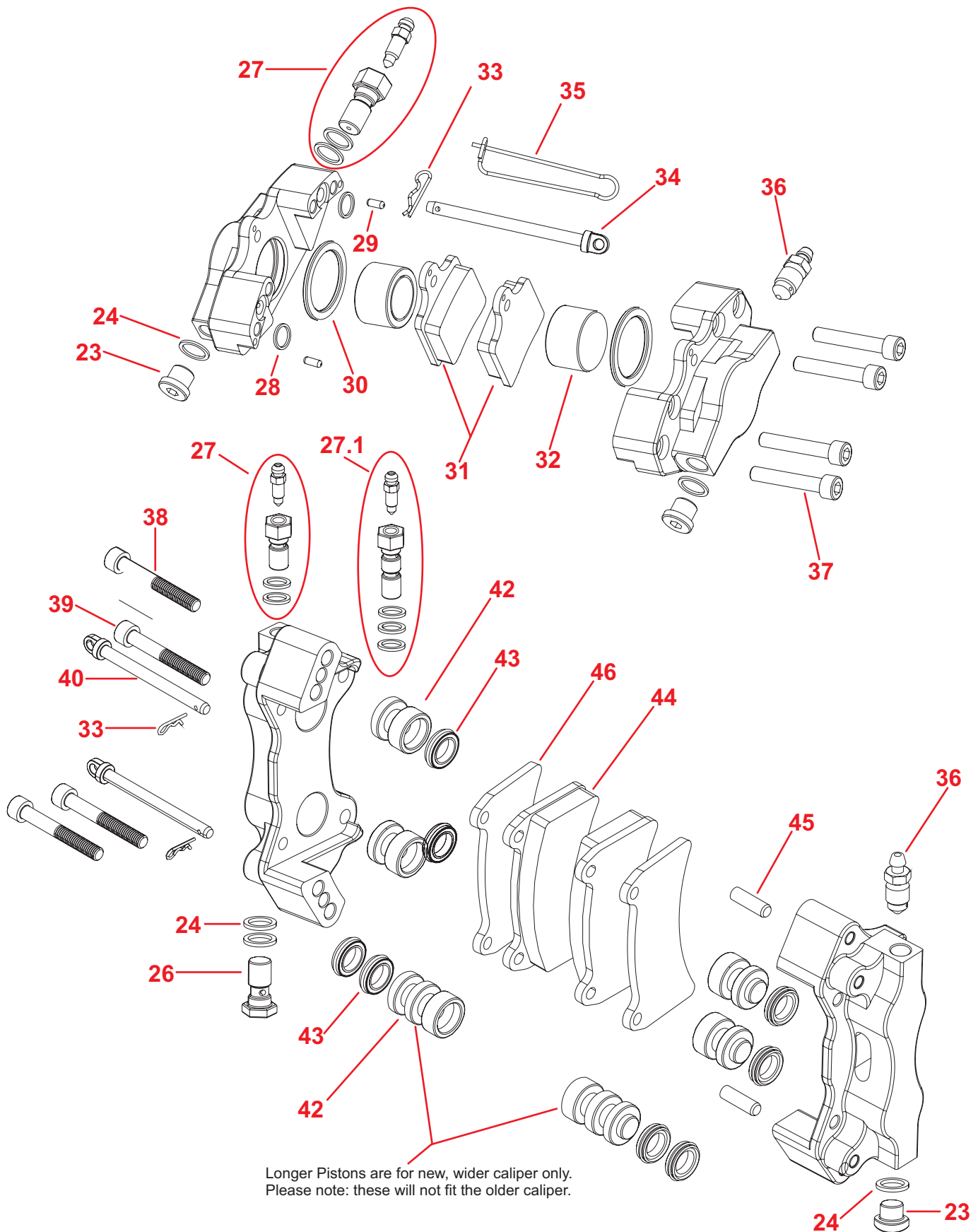
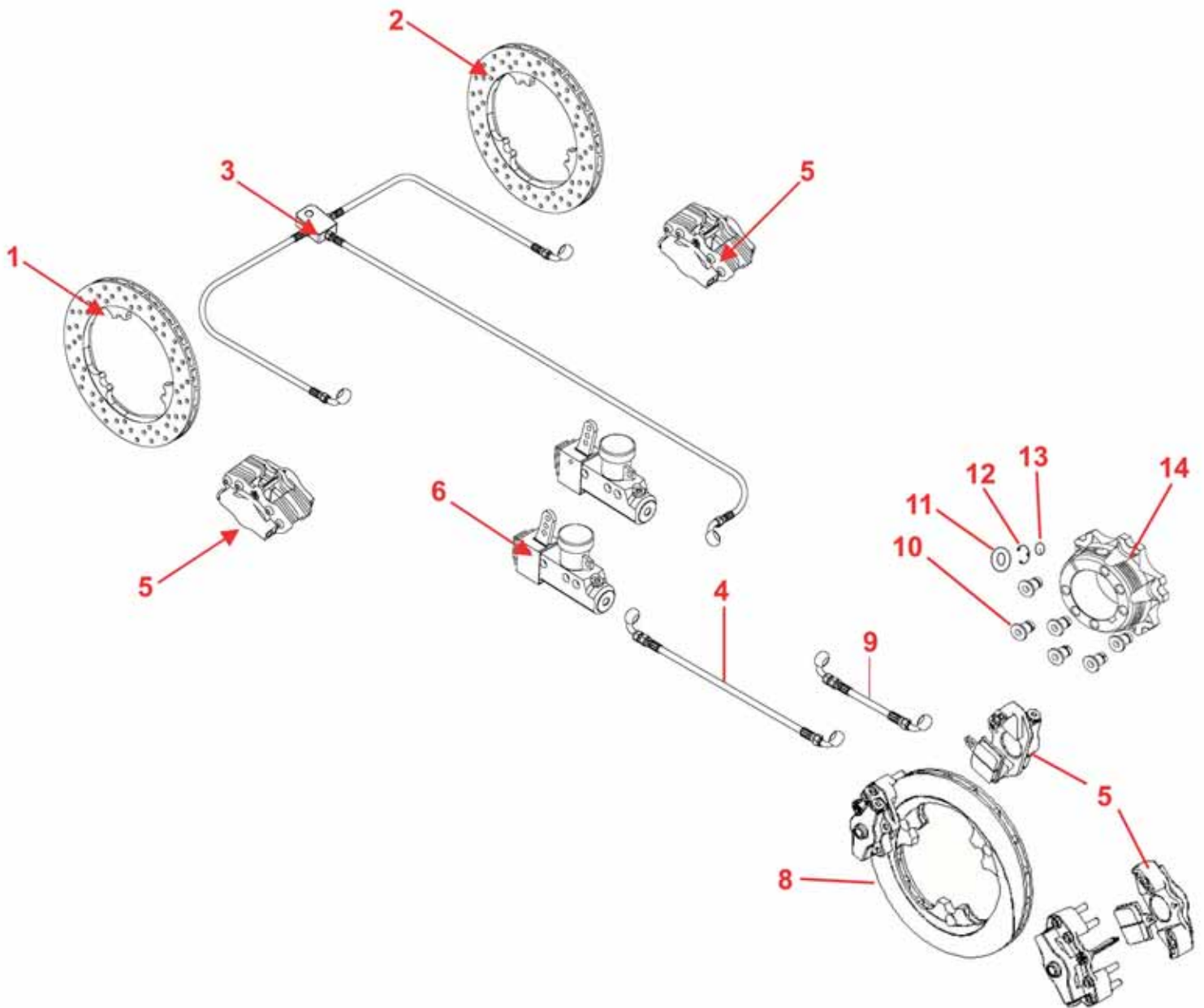


Figure	Part Number	Description	Retail Price
1	ITL090SX	LEFT SELF-VENTILATED CAST IRON FRONT BRAKE DISK - ITALKART	\$81.32
1	ITL090SX-F	Floating Left Front Brake Rotor. EVO3, EVO4, EVO10	\$96.36
2	ITL090DX-F	Floating Right Front Brake Rotor. EVO3, EVO4, EVO10	\$96.36
2	ITL090DX	RIGHT SELF VENTILATED CAST IRON FRONT BRAKE DISK - ITALKART	\$81.32
3	ITL088	FRONT BRAKE PIPE KIT - ITALKART	\$53.00
4	ITL092V	REAR BRAKE LINE SS V - ITALKART	\$50.30
5	ITL054	FRONT-REAR BRAKE CALIPER - 2007 HOMOLOGATED-ITALKART	\$202.08
6	ITL033	MASTER CYLINDER- ITALKART EVO4 - EVO10	\$121.83
7	ITL054V	ITALKART SUPERSONIC V REAR BRAKE CALIPER (HOMOL. EVO10)	\$108.04
8	ITL105V	SS V SELF VENTILATED 6 POINT REAR BRAKE DISK - ITALKART-Superseded by ITL105V-2	\$91.18
9	ITL094V	SMALL BRAKE LINE 180mm - EVO10 - ITALKART- SS V	\$19.20
10	ITL086A	BRAKE DISC BUSHING KIT - 6 Point - ITALKART (4 PEICES)	\$9.57
14	ITL195	50mm FLOATING REAR BRAKE DISK SUPPORT - 6 POINT	\$52.76
15	ITL046	MASTER CYLINDER BOOT-ITALKART	\$10.24
16	ITL044	COMPLETE MASTER CYLINDER LEVER - ITALKART	\$17.45
17	ITL038	19mm PISTON WITH RUBBER RING - ITALKART	\$29.15
18	ITL042	6x6mm THREADED PIN - ITALKART	\$1.04
19	ITL052	REFACED PLUG FOR LEVER - ITALKART	\$0.94
20	ITL040	19mm SPRING - ITALKART	\$3.61
21	ITL050	PISTON STOP SCREW - ITALKART	\$0.57
22	ITL048	MASTER CYLINDER RESERVOIR	\$16.10
23	ITL034	10x1 BLACK PLUG - ITALKART	\$2.33
24	ITL036	10x14x1.5 ALUMINUM WASHER-ITALKART	\$0.78
26	ITL065	BRAKE LINE BOLT FOR SINGLE BANJO BOLT FITTING	\$4.38
27	ITL108	BOLT BLEEDER-KIT (BRAKE LINE BOLT, BLEEDER AND WASHERS) - ITALKART	\$5.53
27.1	ITL108D	DOUBLE BOLT BLEEDER-KIT (BRAKE LINE BOLT, BLEEDER AND WASHERS) - ITALKART	\$7.61
28	ITL106	SMALL ORING - ITALKART	\$0.85
29	ITL063-4	Centering pin for EVO4/10 front caliper	\$1.05
30	ITL060	26mm LARGE RUBBER RING - ITALKART	\$8.40
31	ITL068	SET OF BRAKE PADS - BLUE HARD - ITALKART = 2 PADS (EVO4 FRONT & REAR / EVO10 FRONT ONLY)..	\$28.00
31	ITL070	SET OF BRAKE PADS - BLACK SOFT - ITALKART = 2 PADS (EVO4 FRONT & REAR / EVO10 FRONT ONLY)..	\$28.00
31	ITL072	SET OF BRAKE PADS - RED MEDIUM - ITALKART = 2 PADS (EVO4 FRONT & REAR / EVO10 FRONT ONLY)..	\$28.00
32	ITL058	26mm PISTON W/MAGNET - ITALKART	\$31.36
33	ITL101	SAFETY CLIP FOR SAFETY PIN	\$0.44
34	ITL100	SAFETY CLIP FOR BRAKE PAD - ITALKART	\$0.78
35	ITL102	SAFETY SCREW FOR BRAKE PAD - ITALKART	\$2.59
36	ITL109	LARGE BLEEDER - ITALKART	\$4.47
37	ITL059	CALIPER BOLTS- ITALKART	\$1.47
38	ITL061	CAP HEAD BOLT M6x45- ITALKART	\$0.39
39	ITL062	6x50mm SCREW FOR BRAKE CALIPER - ITALKART	\$0.50
40	ITL066V	SAFETY PIN FOR EVO10 REAR CALIPER-SS V	\$5.77
42	ITL058V	PISTON FOR EVO 10 REAR CALIPER-SUPERSONIC V 19 mm (INCLUDES SEAL)	\$8.31
43	ITL060V	19mm SEAL FOR BRAKES- SUPERSONIC V	\$2.33
44	ITL068V	REAR BRAKE PAD - ITALKART SSV - BLUE HARD = 1 PAD (EVO10 REAR)	\$18.98
44	ITL072V	REAR BRAKE PAD - ITALKART SSV - RED MEDIUM = 1 PAD (EVO10 REAR)	\$18.98
45	ITL063-10	CENTERING PIN FOR EVO10 REAR CALIPER	\$1.22



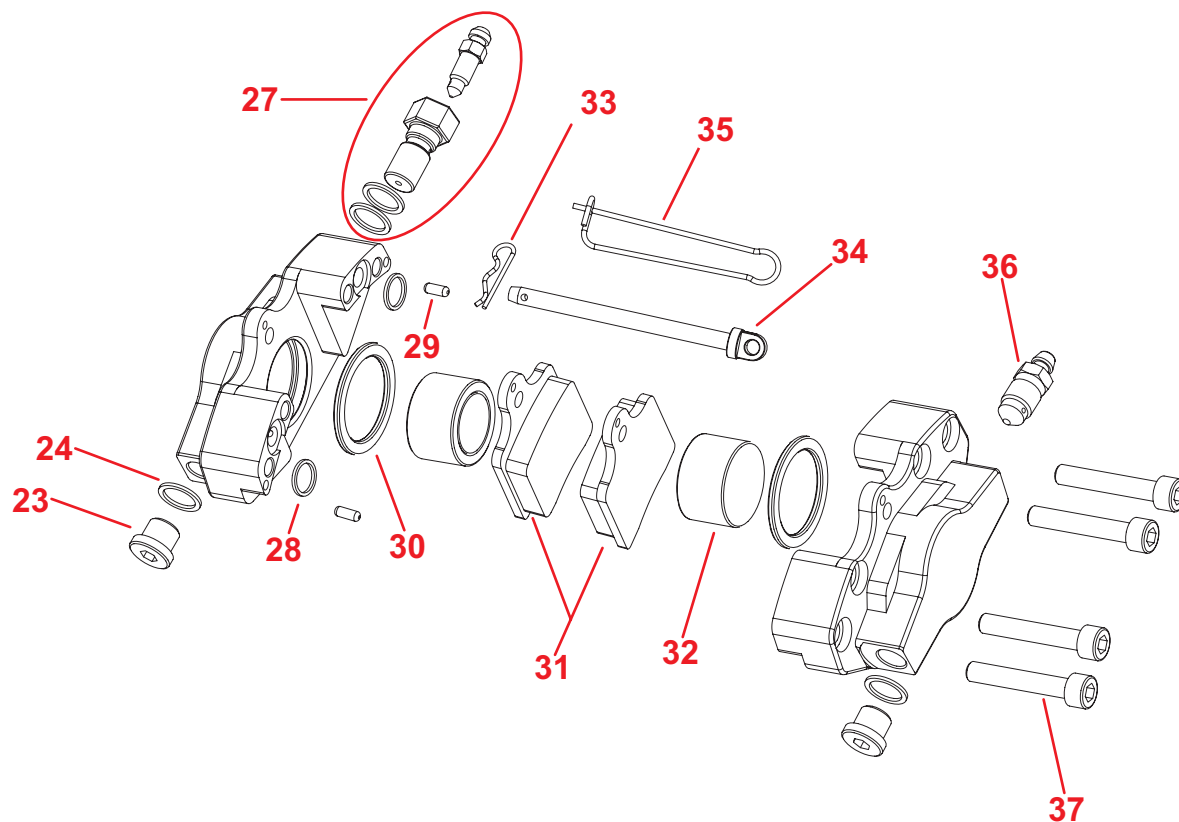
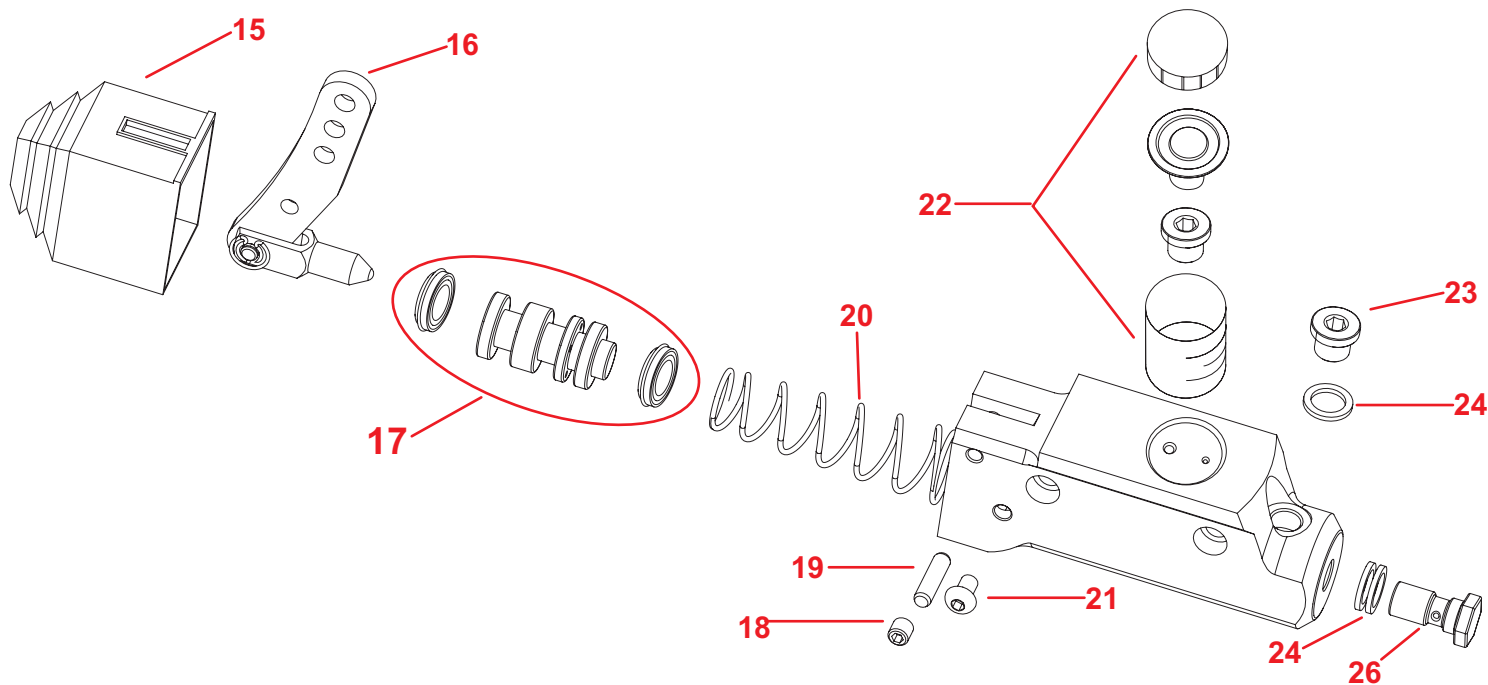
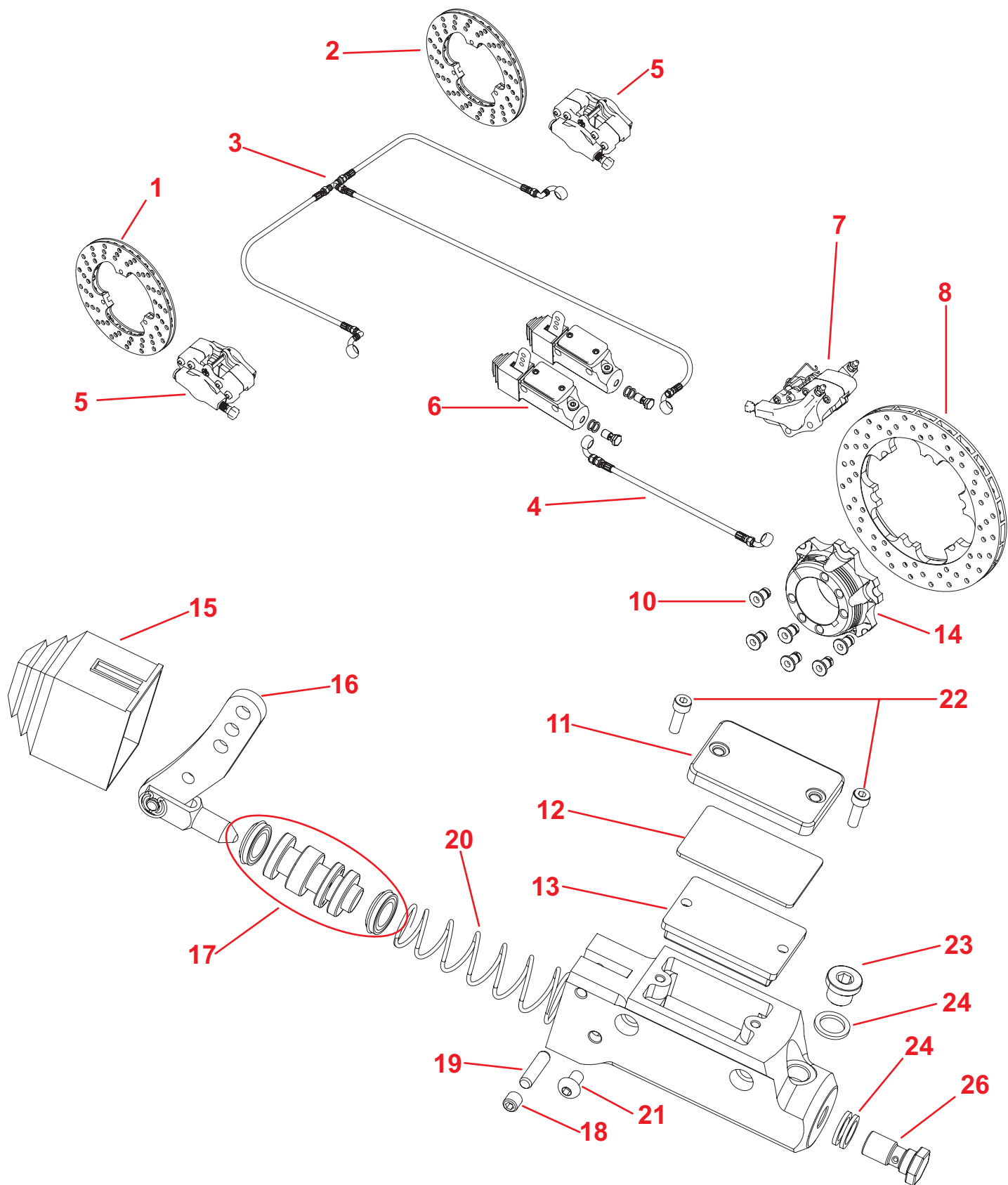
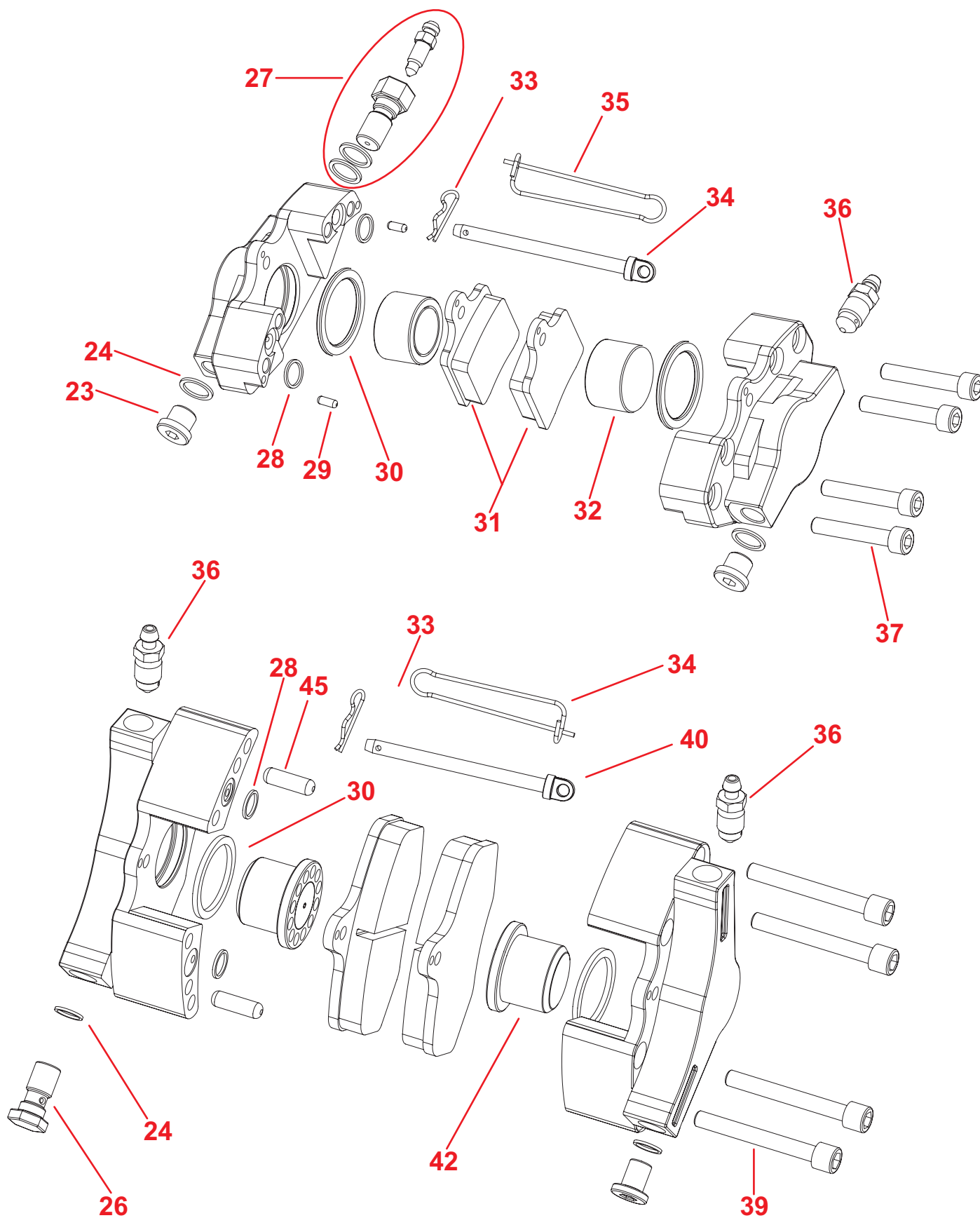


Figure	Part Number	Description	Retail Price
1	ITL090SX	LEFT SELF-VENTILATED CAST IRON FRONT BRAKE DISK - ITALKART	\$81.32
1	ITL090SX-F	Floating Left Front Brake Rotor. EVO3, EVO4, EVO10	\$96.36
2	ITL090DX	RIGHT SELF VENTILATED CAST IRON FRONT BRAKE DISK - ITALKART	\$81.32
2	ITL090DX-F	Floating Right Front Brake Rotor. EVO3, EVO4, EVO10	\$96.36
3	ITL088	FRONT BRAKE PIPE KIT - ITALKART	\$53.00
4	ITL092	REAR BRAKE PIPE LINE - ITALKART	\$38.00
5	ITL054	FRONT-REAR BRAKE CALIPER - 2007 HOMOLOGATED-ITALKART	\$202.08
6	ITL033	MASTER CYLINDER- ITALKART EVO4 - EVO10	\$121.83
8	ITL104	SELF VENTILATED 3 POINT REAR BRAKE DISK - ITALKART	\$115.18
8	ITL105	SELF VENTILATED 6 POINT REAR BRAKE DISK - ITALKART	\$91.18
9	ITL094	BRAKE LINE - SMALL - ITALKART	\$19.22
10	ITL086	BRAKE DISC BUSHING - 3 Point - ITALKART	\$3.90
10	ITL086A	BRAKE DISC BUSHING KIT - 6 Point - ITALKART (4 PEICES)	\$9.57
14	ITL195	50mm FLOATING REAR BRAKE DISK SUPPORT - 6 POINT	\$52.76
14	ITL196	50mm FLOATING REAR BRAKE DISK SUPPORT - 3 POINT	\$61.32
15	ITL046	MASTER CYLINDER BOOT-ITALKART	\$10.24
16	ITL044	COMPLETE MASTER CYLINDER LEVER - ITALKART	\$17.45
17	ITL038	19mm PISTON WITH RUBBER RING - ITALKART	\$29.15
18	ITL042	6x6mm THREADED PIN - ITALKART	\$1.04
19	ITL052	REFACED PLUG FOR LEVER - ITALKART	\$0.94
20	ITL040	19mm SPRING - ITALKART	\$3.61
21	ITL050	PISTON STOP SCREW - ITALKART	\$0.57
22	ITL048	MASTER CYLINDER RESERVOIR	\$16.10
23	ITL034	10x1 BLACK PLUG - ITALKART	\$2.33
24	ITL036	10x14x1.5 ALUMINUM WASHER-ITALKART	\$0.78
26	ITL053	Brake Line Bolt for Single Banjo Fitting	\$49.33
27	ITL108	BOLT BLEEDER-KIT (BRAKE LINE BOLT, BLEEDER AND WASHERS) - ITALKART	\$5.53
28	ITL106	SMALL ORING - ITALKART	\$0.85
29	ITL063-4	Centering pin for EVO4/10 front caliper	\$1.05
30	ITL060	26mm LARGE RUBBER RING - ITALKART	\$8.40
31	ITL068	SET OF BRAKE PADS - BLUE HARD - ITALKART = 2 PADS (EVO4 FRONT & REAR / EVO10 FRONT ONLY)..	\$28.00
31	ITL070	SET OF BRAKE PADS - BLACK SOFT - ITALKART = 2 PADS (EVO4 FRONT & REAR / EVO10 FRONT ONLY)..	\$28.00
31	ITL072	SET OF BRAKE PADS - RED MEDIUM - ITALKART = 2 PADS (EVO4 FRONT & REAR / EVO10 FRONT ONLY)..	\$28.00
32	ITL058	26mm PISTON W/MAGNET - ITALKART	31.36
33	ITL101	SAFETY CLIP FOR SAFETY PIN	\$0.44
34	ITL100	SAFETY CLIP FOR BRAKE PAD - ITALKART	\$0.78
35	ITL102	SAFETY SCREW FOR BRAKE PAD - ITALKART	\$2.59
36	ITL109	LARGE BLEEDER - ITALKART	\$4.47
37	ITL059	CALIPER BOLTS- ITALKART	\$1.47





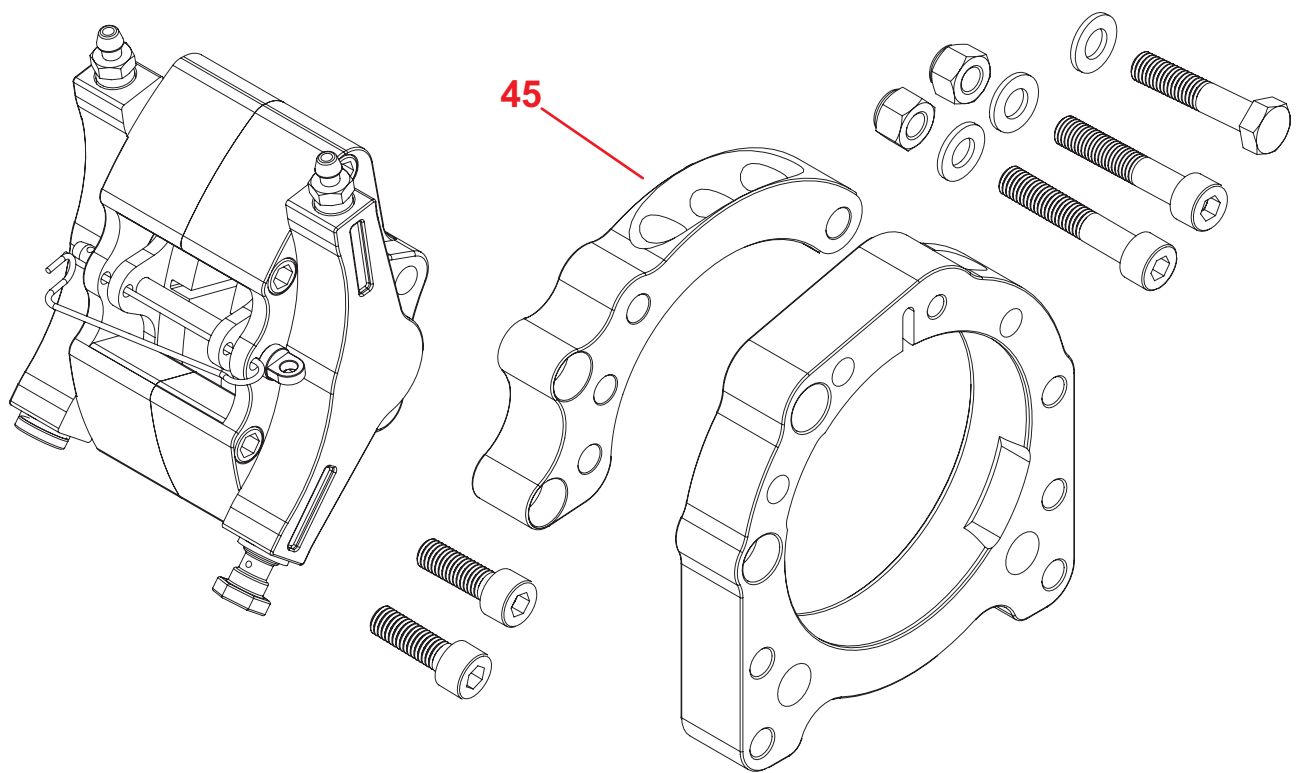
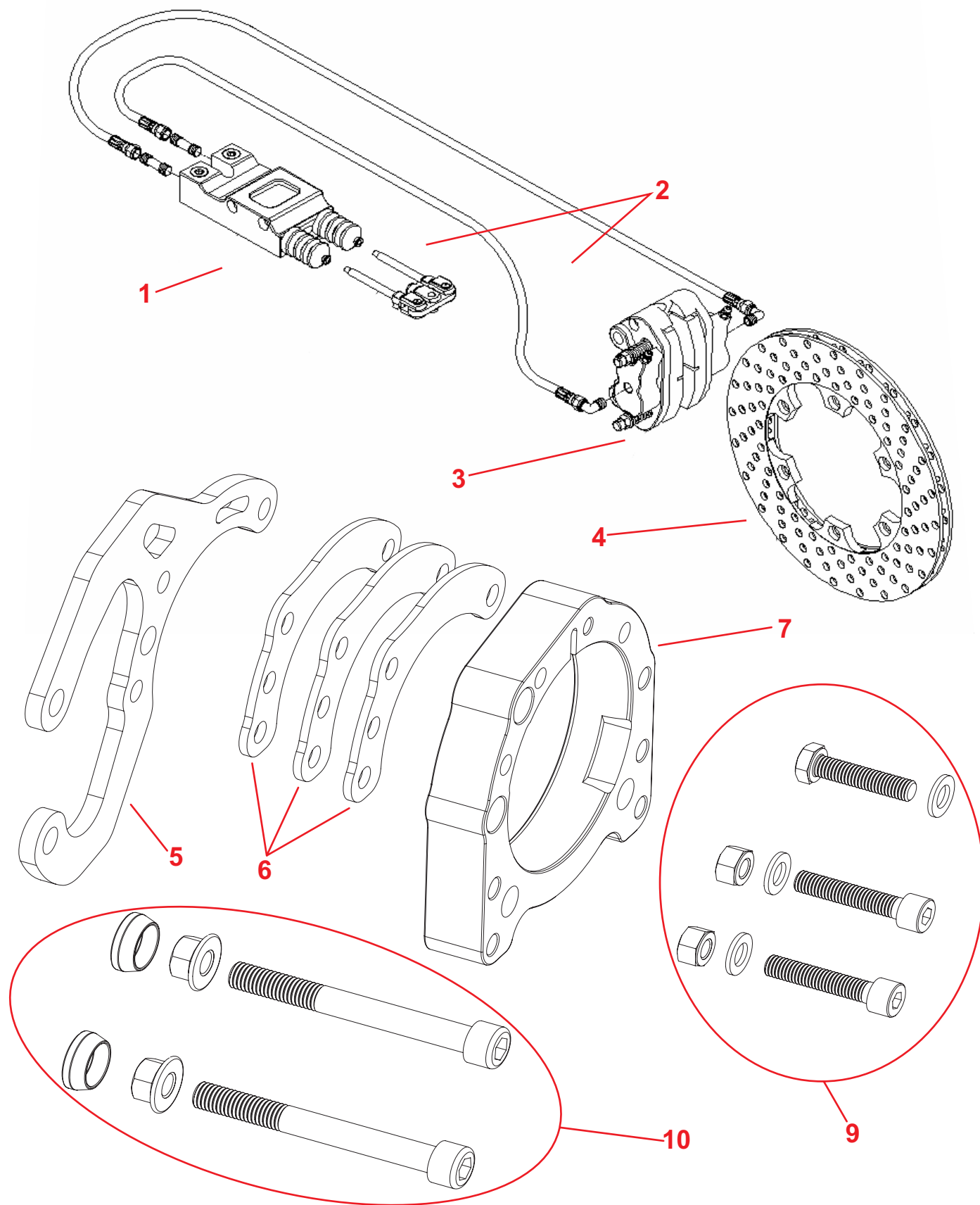


Figure	Part Number	Description	Retail Price
1	ITL090SX-EVO3	LEFT SELF-VENTILATED CAST IRON FRONT BRAKE DISK - ITALKART EVO3	\$81.33
1	ITL090SX-F	Floating Left Front Brake Rotor. EVO3, EVO4, EVO10	\$96.36
2	ITL090DX-EVO3	RIGHT SELF-VENTILATED CAST IRON FRONT BRAKE DISK - ITALKART EVO3	\$81.33
2	ITL090DX-F	Floating Right Front Brake Rotor. EVO3, EVO4, EVO10	\$96.36
3	ITL088-EVO3	FRONT BRAKE PIPE KIT - ITALKART EVO3	\$64.93
4	ITL092-EVO3	REAR BRAKE PIPE KIT - ITALKART EVO3	\$36.16
5	ITL054-EVO3	FRONT BRAKE CALIPER - 2007 HOMOLOGATED - ITALKART EVO3	\$202.08
6	ITL033-EVO3	MASTER CYLINDER- ITALKART EVO3ET	\$121.83
7	ITL054V-EVO3	ITALKART REAR BRAKE CALIPER (HOMOL. EVO3)	\$208.44
8	ITL105V-EVO3	Rear Brake Rotor - EVO3 - 6 Point floating	\$91.18
10	ITL086A	BRAKE DISC BUSHING KIT - 6 Point - ITALKART (4 PEICES)	\$9.57
11	ITL048-EVO3A	MASTER CYLINDER RESERVOIR TOP CAP	\$19.83
12	ITL048-EVO3B	MASTER CYLINDER RESERVOIR INNER GASKET SUPPORT	\$7.61
13	ITL048-EVO3C	MASTER CYLINDER RESERVOIR INNER RUBBER GASKET	\$9.41
14	PD025	50mm Ergal Floating Brake Disk Support	\$63.72
15	ITL046	MASTER CYLINDER BOOT-ITALKART	\$10.24
16	ITL044	COMPLETE MASTER CYLINDER LEVER - ITALKART	\$17.45
17	ITL038	19mm PISTON WITH RUBBER RING - ITALKART	\$29.15
18	ITL042	6x6mm THREADED PIN - ITALKART	\$1.04
19	ITL052	REFACED PLUG FOR LEVER - ITALKART	\$0.94
20	ITL040	19mm SPRING - ITALKART	\$3.61
21	ITL050	PISTON STOP SCREW - ITALKART	\$0.57
22	ITL048-EVO3D	SCREW FOR MASTER CYLINDER RESERVOIR 04x12mm	\$0.10
23	ITL034	10x1 BLACK PLUG - ITALKART	\$2.33
24	ITL036	10x14x1.5 ALUMINUM WASHER-ITALKART	\$0.78
26	ITL065	BRAKE LINE BOLT FOR SINGLE BANJO BOLT FITTING	\$4.38
27	ITL108	BOLT BLEEDER-KIT (BRAKE LINE BOLT, BLEEDER AND WASHERS) - ITALKART	\$5.53
28	ITL106	SMALL ORING - ITALKART	\$0.85
29	ITL063-4	Centering pin for EVO4/10 front caliper	\$1.05
30	ITL060	26mm LARGE RUBBER RING - ITALKART	\$8.40
31	ITL068	SET OF BRAKE PADS - BLUE HARD - ITALKART = 2 PADS (EVO4 FRONT & REAR / EVO10 FRONT ONLY)..	\$28.00
31	ITL070	SET OF BRAKE PADS - BLACK SOFT - ITALKART = 2 PADS (EVO4 FRONT & REAR / EVO10 FRONT ONLY)..	\$28.00
31	ITL072	SET OF BRAKE PADS - RED MEDIUM - ITALKART = 2 PADS (EVO4 FRONT & REAR / EVO10 FRONT ONLY)..	\$28.00
32	ITL058	26mm PISTON W/MAGNET - ITALKART	31.36
33	ITL101	SAFETY CLIP FOR SAFETY PIN	\$0.44
34	ITL100	SAFETY CLIP FOR BRAKE PAD - ITALKART	\$0.78
35	ITL102	SAFETY SCREW FOR BRAKE PAD - ITALKART	\$2.59
36	ITL109	LARGE BLEEDER - ITALKART	\$4.47
37	ITL059	CALIPER BOLTS- ITALKART	\$1.47
39	ITL062	6x50mm SCREW FOR BRAKE CALIPER - ITALKART	\$0.50
40	ITL066-EVO3	SAFETY PIN FOR EVO3 REAR CALIPER - DD2	\$6.72
42	ITL058-EVO3	26mm FLANGED PISTON W/MAGNET - ITALKART EVO3	\$30.99
44	ITL068V-EVO3	REAR BRAKE PAD- BLUE HARD- EVO3ET- 2 PADS (DD2)	\$38.21
44	ITL071V-EVO3	REAR BRAKE PAD - ITALKART EVO3 - GREEN SPECIAL SOFT HP = 1 PAD	\$34.27
45	ITL056-EVO3	REAR CALIPER MOUNTING BRACKET EV03 - ITALKART	\$37.31



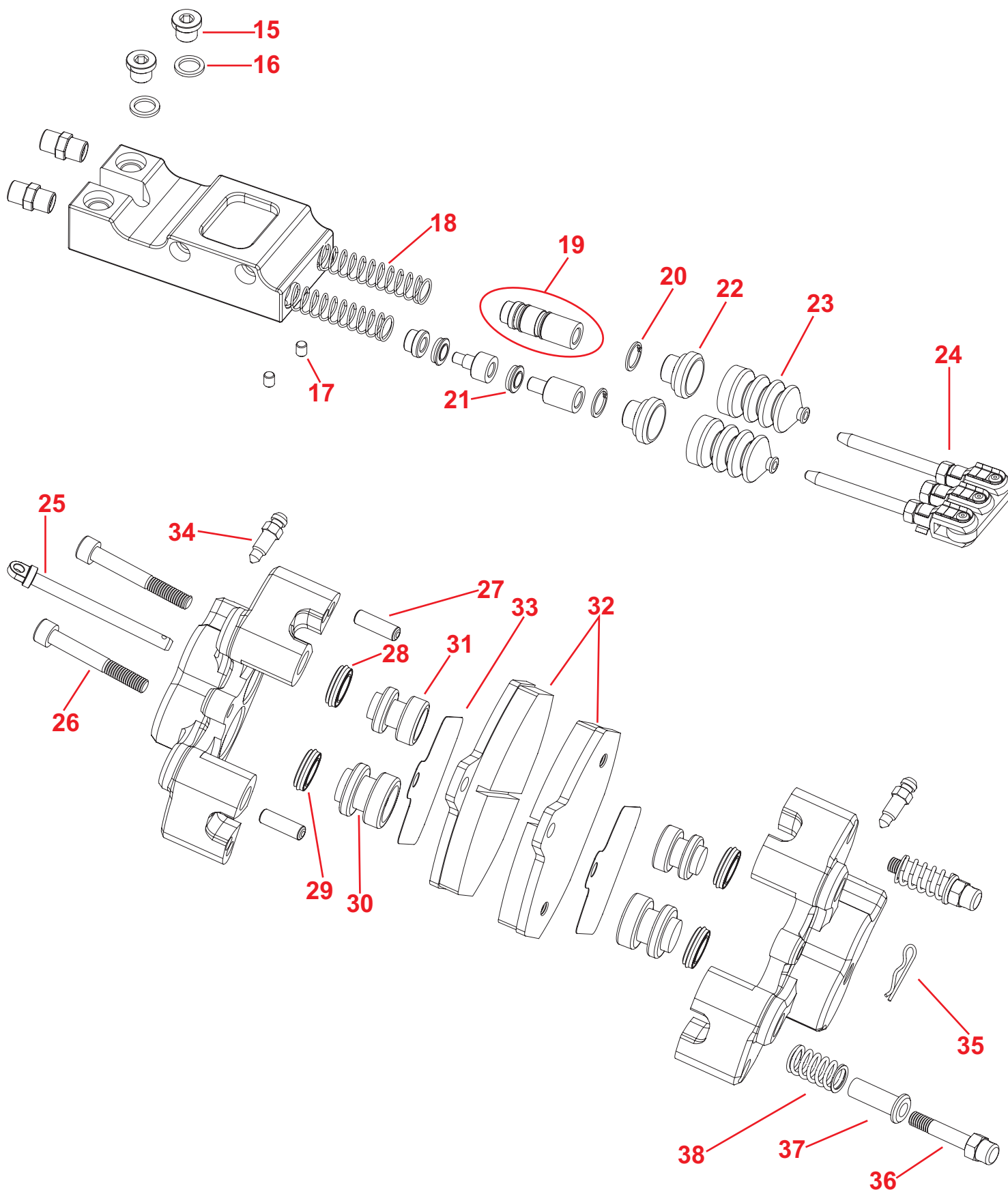
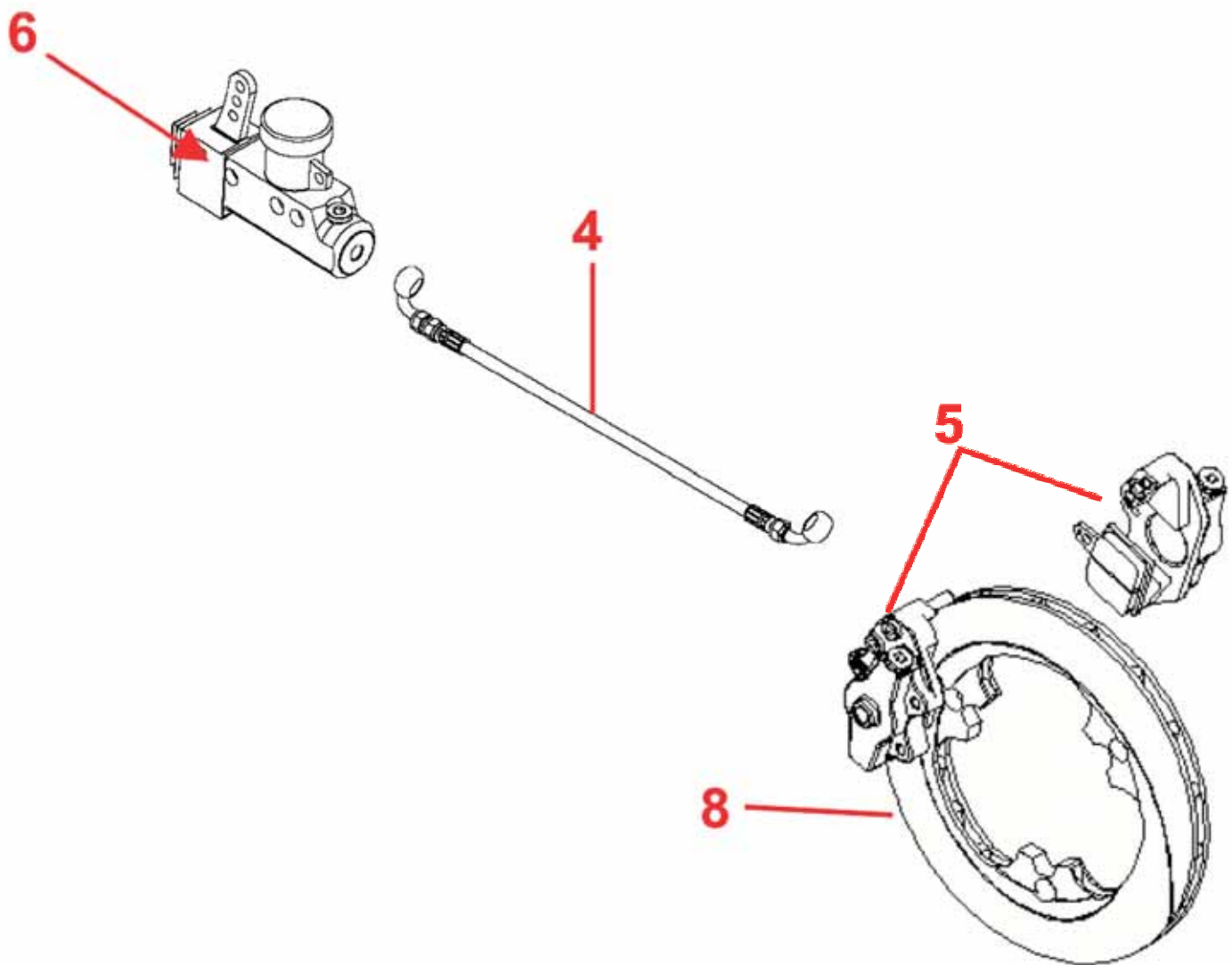


Figure	Part Number	Description	Retail Price
1	FR062TT	TWIN MASTER CYLINDER - ANODIZED TITANIUM	\$120.83
2	KTPEVO1	EVO1 REAR BRAKE PIPES L. 1100	\$68.50
3	FR028TT	REAR BRAKE CALIPER - 4 PISTON, 60mm SPACE - ANODIZED TITANIUM	\$137.59
4	DF010	REAR BRAKE ROTOR (WK-MDFPA2)	\$73.68
5	AR504	ADAPTER FOR EV01	\$45.99
6	AR503	SPACKER FOR BRAKE CALIPER EV01 (INCLUDES 3 OF THEM)	\$42.72
7	GC014TT	CASSETTE 50mm- ELITE/ QUATTRO	\$43.70
7	GC018TT	BEARING CASSETTE 40MM - FOUR HOLES CLAMPING - ANODIZED TITANIUM	\$42.92
9	ITL085	CALIPER TO CASSETTE MOUNTING BOLT KIT FOR EVO1	\$10.52
10	ITL084	REAR BRAKE DISC HARDWARE - 3 POINT - ITALKART	\$10.57
15	PF001	MASTER CYLINDER - SCREW (K411)	\$2.18
16	PF002	MASTER CYLINDER - SEAL (K412)	\$0.52
17	PF043	M5 X 5 STOP DOWEL WITH CONIC TIP	\$0.52
18	PF030	HELICOIDAL SPRING FOR BRAKE PUMP A 13 MM- TROPICALIZED	\$3.85
19	PF040	13mm PISTON KIT - ELITE '05	\$18.84
20	PF035	13mm CIRCLIP	\$1.05
21	PF032	13MM OIL LOCKING RUBBER RING	\$1.92
22	PF036	CAP CLAMPING GUARD HOLDER	\$4.33
23	PF037	BELLOWS DUSTY GUARD	\$4.33
24	PF041	KIT FOR LOAD DISTRIBUTION UPON PRESS-PISTONS	\$32.37
25	PP021	Safety pin for rear brake caliper L. 62 mm - Tropicalized	\$5.77
26	PP009	SCREW 6 x 45 CYLINDRICAL FOR ASSEMBLING REAR BRAKE CALIPER	\$0.79
27	PP037	CENTERING PIN FOR EVO10 REAR CALIPER	\$1.22
28	PP003	REAR CALIPER - OIL LOCKING RUBBER RING 19mm (Same as K886)	\$2.33
29	PF006	MASTER CYLINDER/REAR CALIPER - 22mm OIL LOCKING RUBBER (K408A)	\$2.49
30	PP002	REAR CALIPER - BRASS PISTON W/OIL LOCKING RUBBER RING 22mm	\$10.41
31	PP001	REAR CALIPER - BRASS PISTON W/OIL LOCKING RUBBER RING 19mm	\$9.54
32	PP010NR	SET OF BRAKE PADS - REAR (2 PADS)	\$25.02
33	PP011	BRAKE SHIM, 0.5mm - REAR	\$2.71
34	PA018	M6 DISCHARGE COUNTERSUNK HEAD SCREW	\$3.63
35	PP022	SAFETY SPLIT PIN	\$0.87
36	PP006	REAR CALIPER - PIN	\$2.10
37	PP007	REAR CALIPER - TUBE	\$1.79
38	PP005	REAR CALIPER - SPRING	\$1.66



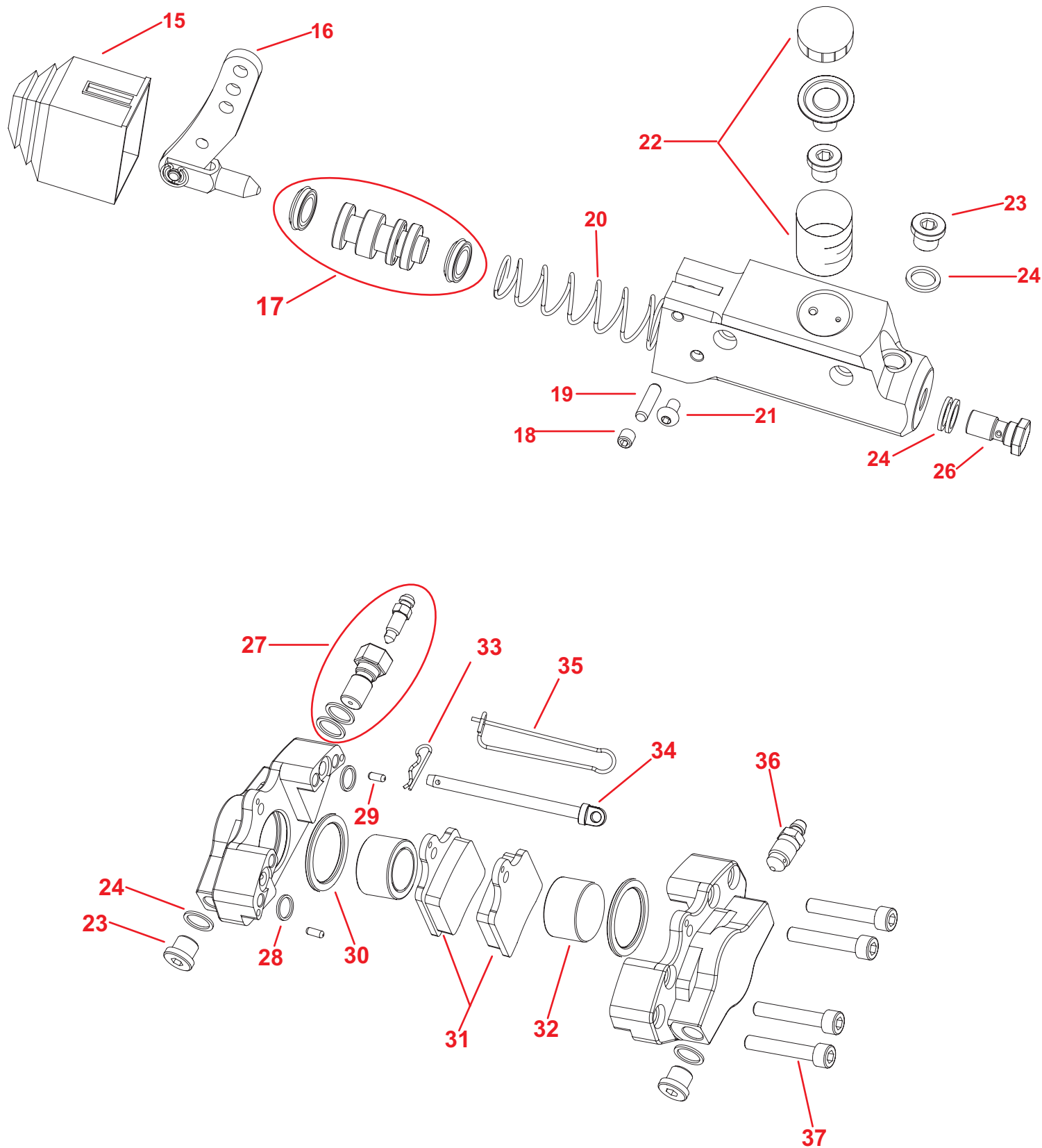
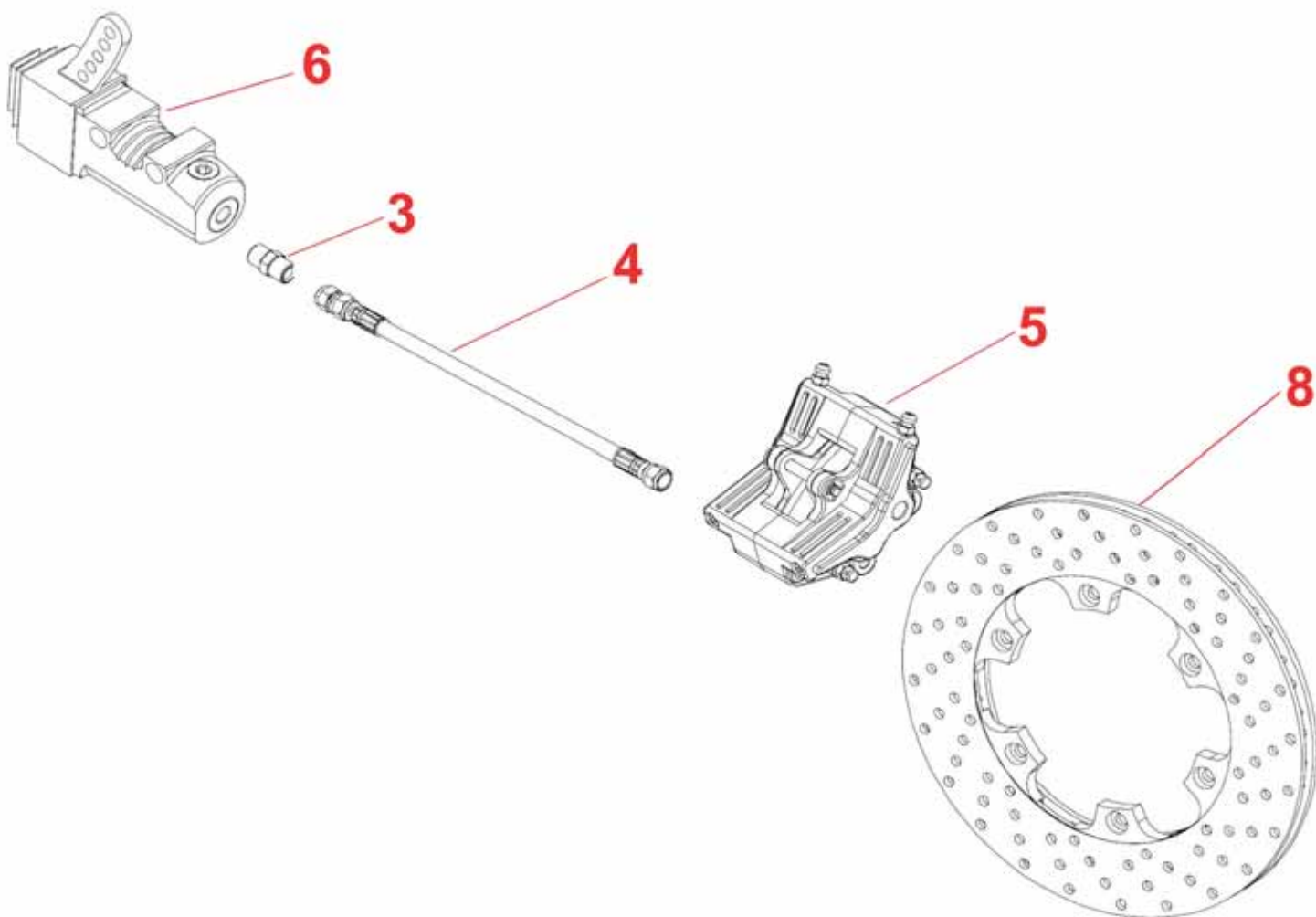


Figure	Part Number	Description	Retail Price
4	ITL092C	REAR BRAKE PIPE KET EV04 CADET 665mm- ITALKART	\$38.00
5	ITL054	FRONT-REAR BRAKE CALIPER - 2007 HOMOLOGATED-ITALKART	\$202.08
6	ITL033TT	COMPLETE MASTER CYLINDER EV04 CADET TITANIUM- ITALKART	\$121.83
8	ITL104	SELF VENTILATED 3 POINT REAR BRAKE DISK - ITALKART	\$115.18
10	ITL086	BRAKE DISC BUSHING - 3 Point - ITALKART	\$3.90
11	ITL098	ROUNDED WASHER FOR FLOATING DISC SUPPORT - ITALKART	\$1.19
12	ITL080	BUSHING CIRCLIP FOR FLOATING DISC SUPPORT - ITALKART	\$0.81
13	ITL064	BRAKE DISC SAFETY CLIP - ITALKART	\$4.17
15	ITL046	MASTER CYLINDER BOOT-ITALKART	\$10.24
16	ITL044	COMPLETE MASTER CYLINDER LEVER - ITALKART	\$17.45
17	ITL038	19mm PISTON WITH RUBBER RING - ITALKART	\$29.15
18	ITL042	6x6mm THREADED PIN - ITALKART	\$1.04
19	ITL052	REFACED PLUG FOR LEVER - ITALKART	\$0.94
20	ITL040	19mm SPRING - ITALKART	\$3.61
21	ITL050	PISTON STOP SCREW - ITALKART	\$0.57
22	ITL048	MASTER CYLINDER RESERVOIR	\$16.10
23	ITL034	10x1 BLACK PLUG - ITALKART	\$2.33
24	ITL036	10x14x1.5 ALUMINUM WASHER-ITALKART	\$0.78
26	ITL053	Brake Line Bolt for Single Banjo Fitting	\$49.33
27	ITL108	BOLT BLEEDER-KIT (BRAKE LINE BOLT, BLEEDER AND WASHERS) - ITALKART	\$5.53
28	ITL106	SMALL ORING - ITALKART	\$0.85
29	ITL063-4	Centering pin for EVO4/10 front caliper	\$1.05
30	ITL060	26mm LARGE RUBBER RING - ITALKART	\$8.40
31	ITL068	SET OF BRAKE PADS - BLUE HARD - ITALKART = 2 PADS (EVO4 FRONT & REAR / EVO10 FRONT ONLY)..	\$28.00
31	ITL070	SET OF BRAKE PADS - BLACK SOFT - ITALKART = 2 PADS (EVO4 FRONT & REAR / EVO10 FRONT ONLY)..	\$28.00
31	ITL072	SET OF BRAKE PADS - RED MEDIUM - ITALKART = 2 PADS (EVO4 FRONT & REAR / EVO10 FRONT ONLY)..	\$28.00
32	ITL058	26mm PISTON W/MAGNET - ITALKART	\$31.36
33	ITL101	SAFETY CLIP FOR SAFETY PIN	\$0.44
34	ITL100	SAFETY CLIP FOR BRAKE PAD - ITALKART	\$0.78
35	ITL102	SAFETY SCREW FOR BRAKE PAD - ITALKART	\$2.59
36	ITL109	LARGE BLEEDER - ITALKART	\$4.47
37	ITL059	CALIPER BOLTS- ITALKART	\$1.47



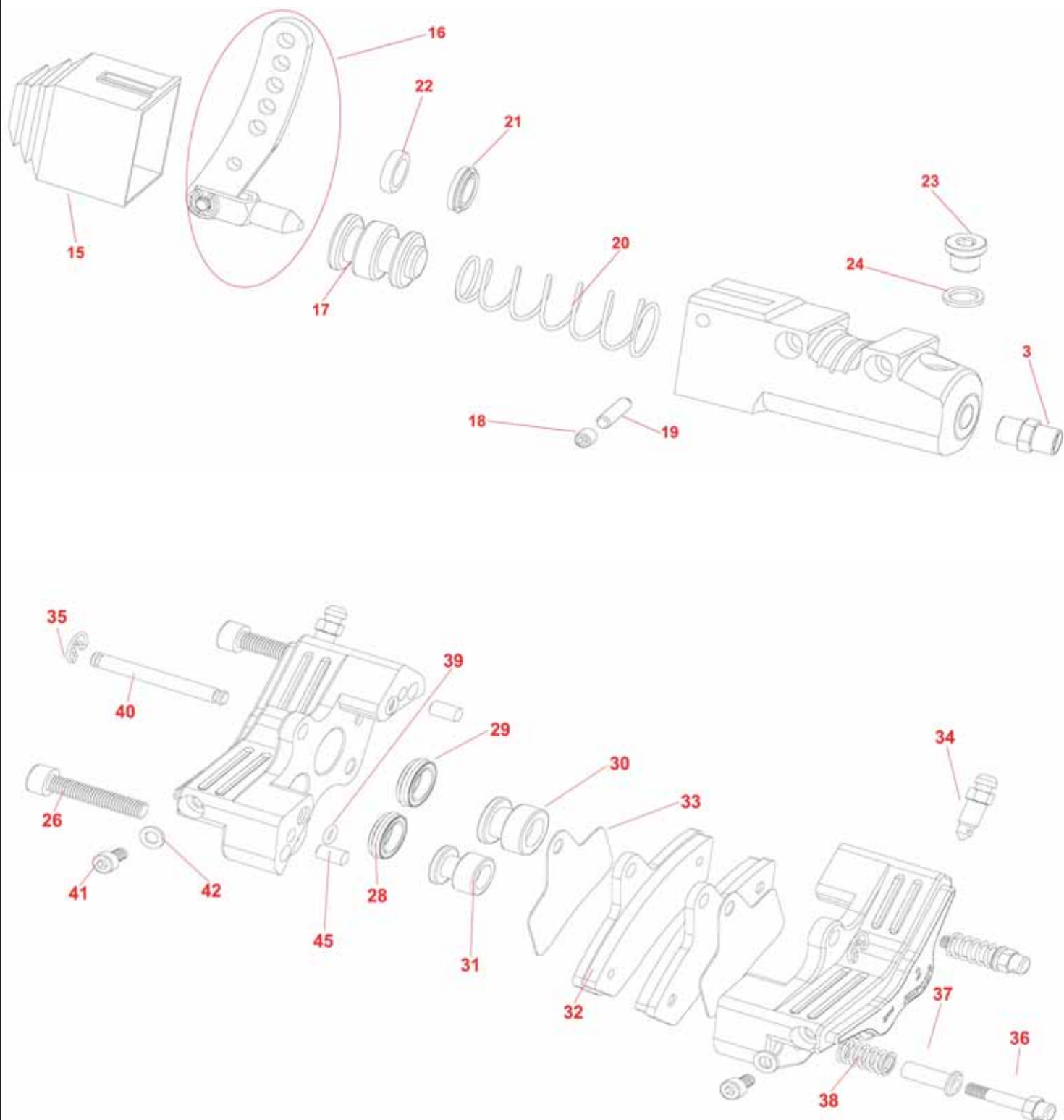


Figure	Part Number	Description	Retail Price
3	PP061	BRAKE LINE BOLT FOR SINGLE BANJO BOLT FITTING	\$4.38
5	FR033SX/TT	BRAKE CALIPER - FRONT LEFT - 4 PISTON - ANODIZED TITANIUM	\$150.00
6	PF103	MASTER CYLINDER 22mm WITH FIXED LEVER EV07/EV02 - ANODIZED GOLD	\$59.98
8	DF017	185mm x 11mm REAR BRAKE ROTOR	\$73.68
15	PF015RS	MASTER CYLINDER COVER - RED	\$8.31
16	PF109	Fixed Lever Complete With Piston Pusher For Master Cylinder	\$1.66
17	PF004	MASTER CYLINDER - BRASS PISTON W/OIL LOCKING RUBBER RINGS	\$11.85
18	PF013	MASTER CYLINDER - SAFETY PIN	\$0.48
19	PF012	MASTER CYLINDER - PIN	\$0.79
20	PF010	MASTER CYLINDER - SPRING	\$1.66
21	PF006	MASTER CYLINDER/REAR CALIPER - 22mm OIL LOCKING RUBBER (K408A)	\$2.49
22	PF008	MASTER CYLINDER - INTERNAL RUBBER RING 22mm	\$1.92
23	PF001	MASTER CYLINDER - SCREW (K411)	\$2.18
24	PF002	MASTER CYLINDER - SEAL (K412)	\$0.52
26	PA007	FRONT CALIPER - SCREW (6x30mm CYLINDRICAL)	\$0.48
28	AD003	FRONT CALIPER - RUBBER SEAL, 14mm	\$1.47
29	AD004	FRONT CALIPER - RUBBER SEAL (4 PISTON MODEL)	\$2.05
30	AD002	FRONT CALIPER - BRASS PISTON 17mm (4 PISTON MODEL)	\$4.46
31	AD001	FRONT CALIPER - BRASS PISTON 14mm (4 PISTON MODEL)	\$3.84
32	PA008NR	7.2mm BRAKE PAD FOR FRONT BRAKE CALIPER- STANDARD MODLE	\$30.75
33	PA009	BRAKE SHIM 0.5mm - FRONT	\$2.15
34	PA018	M6 DISCHARGE COUNTERSUNK HEAD SCREW	\$3.63
35	PP013	CIRCLIP	\$0.17
36	PA004	FRONT CALIPER - PIN	\$1.92
37	PA005	FRONT CALIPER - TUBE	\$2.03
38	PA003	FRONT CALIPER - SPRING	\$1.30
39	PA013	FRONT CALIPER - RUBBER SEAL	\$0.20
40	PA010	FRONT CALIPER - SAFETY PIN	\$0.96
41	PA006	FRONT CALIPER - SCREW (4x8mm CYLINDRICAL)	\$0.70
42	PA012	FRONT CALIPER - BLEEDER SCREW WASHER	\$0.22
45	PA015	FRONT CALIPER - CENTERING PIN	\$1.14



IM100 - High performance radiator with a bar and plate core and billet tanks.



K697S - Billet thermostat



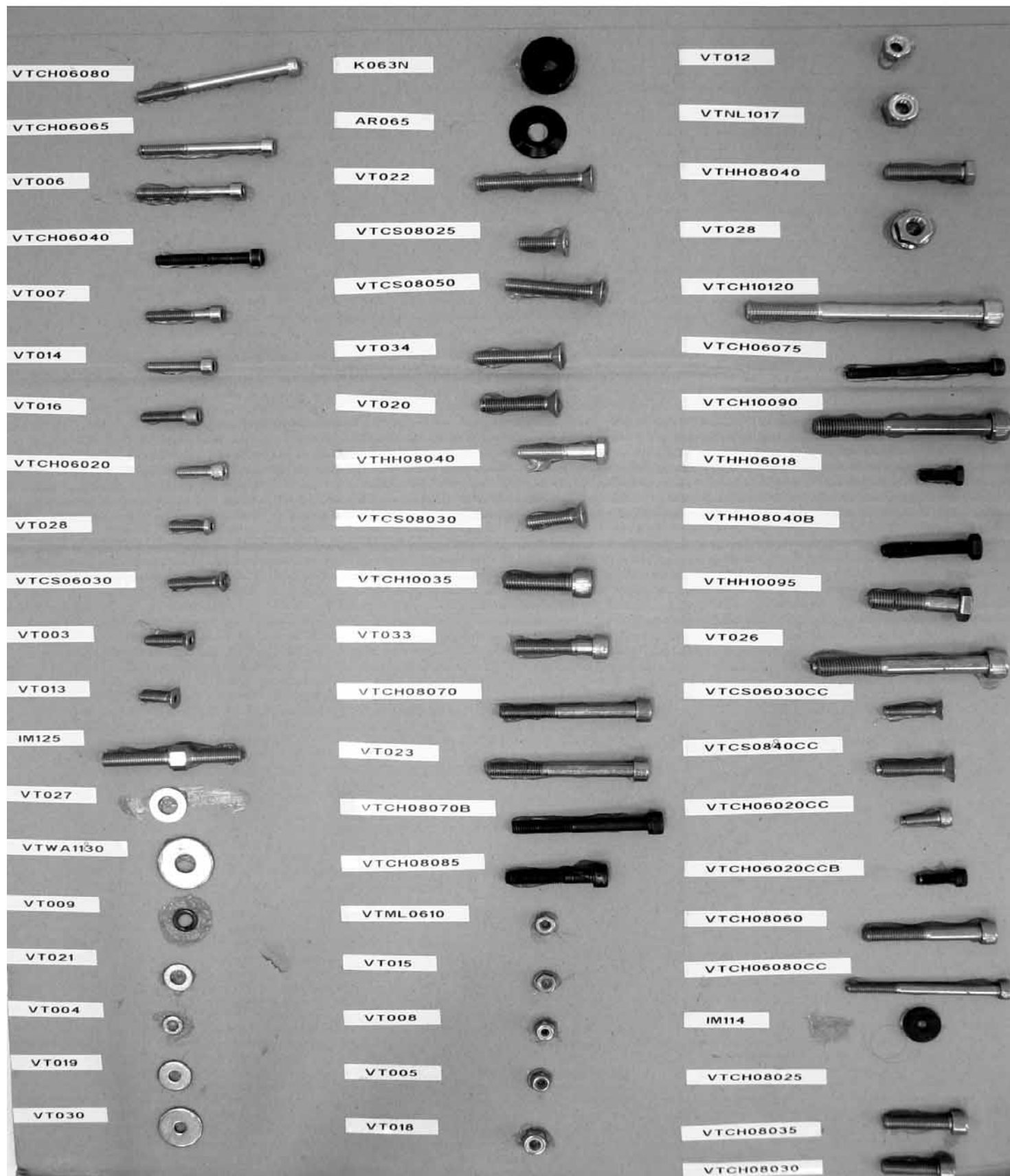
MWPC - Billet water pump



GT003 - Elto water pump



ITL032 - Water hose with pre-bent end



PRO-TOR-K-ERGO



PROCOL-R/B



K5R/BLK



MK21-R/B



SKTRA-RED-SP



PS-ITAL



4377



8316



6322-A



6307-A



ITAL-T



SHORT-T



GV8ITAL



IM/FLEECE



ITALTEAM



ITALKART-T



ITALVEST



ITKRT/HAT



3308-W



FICHE D'HOMOLOGATION HOMOLOGATION FORM



COMMISSION INTERNATIONALE DE KARTING - FIA



CADRE DU CHÂSSIS / CHASSIS FRAME

Constructeur	<i>Manufacturer</i>	SKM
Marque	<i>Make</i>	ITALKART
Modèle	<i>Model</i>	SUPERSONIC V
Catégorie	<i>Category</i>	ICAJ – ICA – ICC – SICC – ICE
Durée de l'homologation	<i>Validity of the homologation</i>	6 ans / years
Nombre de pages	<i>Number of pages</i>	4

La présente Fiche d'Homologation reproduit descriptions, illustrations et dimensions du cadre du châssis au moment de l'homologation CIK-FIA. Le Constructeur a la possibilité de les modifier, mais seulement dans les limites fixées par le Règlement CIK-FIA en vigueur.

This Homologation Form reproduces descriptions, illustrations and dimensions of the chassis frame at the moment of the CIK-FIA homologation. The Manufacturer may modify them, but only within the limits set by the CIK-FIA Regulations in force.

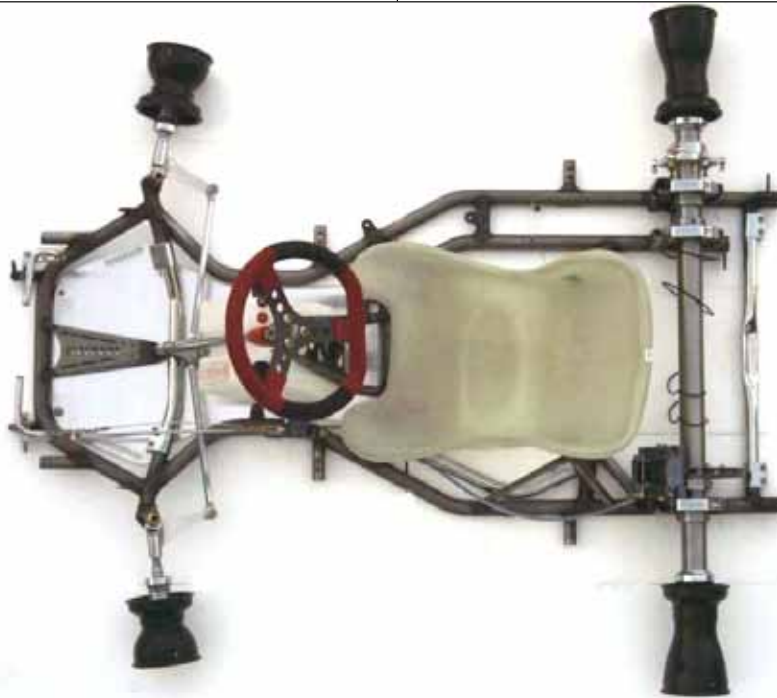
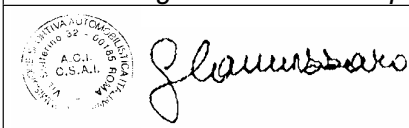



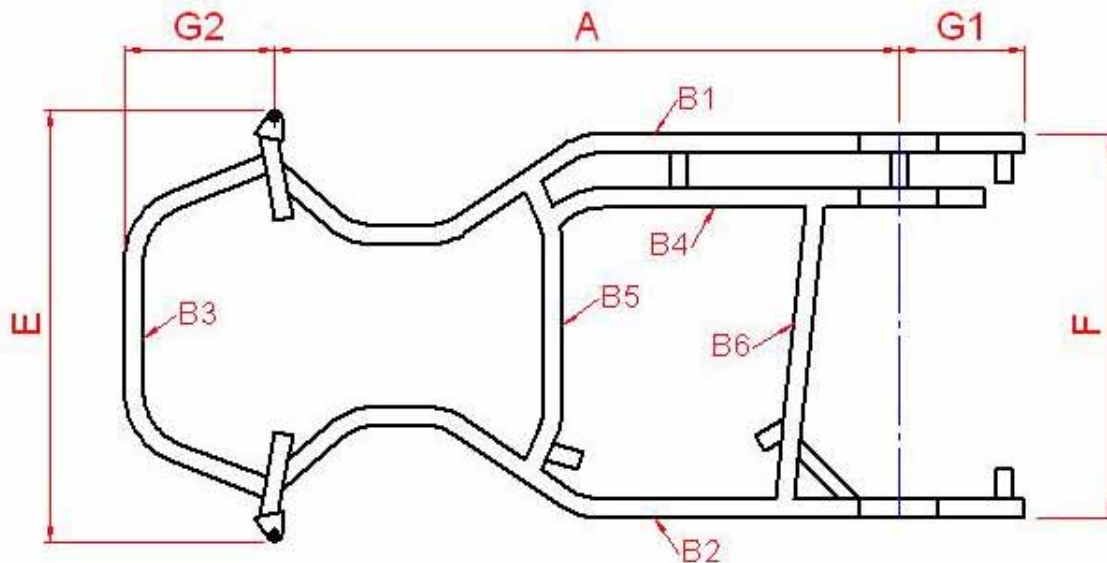
PHOTO VUE DE DESSUS DU CHÂSSIS COMPLET IDENTIQUE À L'UN DES MODÈLES PRÉSENTÉS À L'HOMOLOGATION SANS PARE-CHOC, CARROSSERIE NI PNEUMATIQUES
PHOTO FROM ABOVE OF COMPLETE CHASSIS IDENTICAL TO ONE OF THE MODELS SUBMITTED FOR HOMOLOGATION WITHOUT BUMPERS, BODYWORK OR TYRES

Signature et tampon de l'ASN <i>Signature and stamp of the ASN</i>	Signature et tampon de la CIK-FIA <i>Signature and stamp of the CIK-FIA</i>
	

A	DESSIN TECHNIQUE DU CADRE	A	TECHNICAL DRAWING OF FRAME
---	---------------------------	---	----------------------------

Le dessin technique sert pour identifier la structure et la géométrie principale du cadre.
The technical drawing is used for the identification of the structure and the main geometry of the frame.

VUE DE DESSUS / VIEW FROM ABOVE



Représenter seulement les tubes principaux de la structure et les attaches supportant les fusées et les barres de rigidification nécessitant informations et dimensions à la section B
Only show tubes from the structure and fixations sustaining the stub axles and the stiffening bars that require details and dimensions as featured in section B

VUE DE CÔTÉ / SIDE VIEW

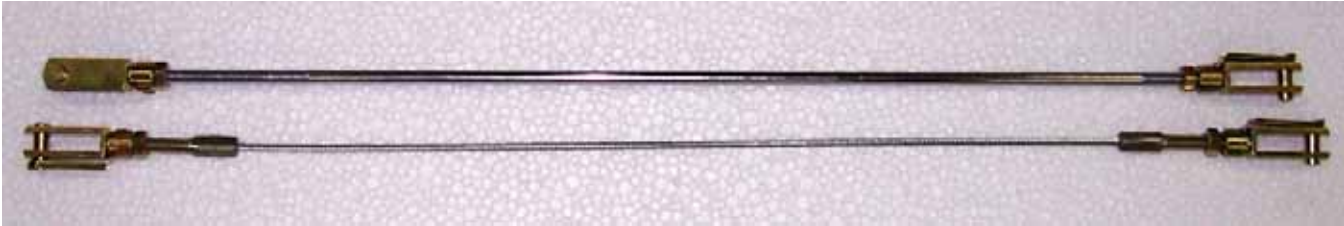


B	COTES	B	DIMENSIONS	
1. Cadre	1. Frame		Données	Tolérances
			Data	Tolerances
A= Empattement mesures fixes	A= Wheel base fixed measurements		1055	+/- 10mm
B= Tubes principaux de la structure, diamètre minimum 21mm, d'une longueur supérieure à 150mm, à l'exception des tubes d'un diamètre inférieur à 21mm et tous les supports pour les accessoires.	B= Main tubes of the structure, minimum diameter of 21mm, length over 150mm, except tubes with a diameter of less than 21mm and all the supports for the accessories.	B1 Ø 32 B2 Ø 32 B3 Ø 32 B4 Ø 32 B5 Ø 32 B6 Ø 32		+/- 0.5mm +/- 0.5mm +/- 0.5mm +/- 0.5mm +/- 0.5mm +/- 0.5mm
C = Nombre de courbes dans les tubes de Ø supérieur à 21mm	C = Number of bends on the tubes with a diameter greater than 21mm.		11	—
D = Nombre de tubes ayant un Ø supérieur à 21mm	D = Number of tubes with a diameter greater than 21mm		6	—
E = Largeur avant extérieure	E = Outer front width		720	+/- 10mm
F = Largeur arrière extérieure	F = Outer rear width		645	+/- 10mm
G1 = Porte-à-faux arrière des tubes principaux (obligatoire)	G1 = Rear overhang for the main tubes (mandatory)		210	+/- 15mm
G2 = Porte-à-faux avant du tube principal	G2 = Front overhang for the main tube		258	+/- 10mm
H = Les attaches supportant les fusées doivent être soudées ou brasées au cadre	H= The fixations sustaining the stub axles must be welded or brazed to the frame			
I = Les attaches supportant les barres de rigidification doivent être soudées ou brasées au cadre	I= The fixations sustaining the stiffening bars must be welded or brazed to the frame			
Remarque / Remark: Dans les points B, C et D, seuls les tubes principaux d'une longueur supérieure à 150 mm sont à prendre en considération à l'exclusion tous les supports pour accessoires. In points B, C and D, only the main tubes of a length of more than 150 mm are to be taken into consideration, excluding all supports for accessories.				

C	PHOTO DU MARQUAGE DU NUMERO D'HOMOLOGATION	C	PHOTO OF THE HOMOLOGATION NUMBER MARKING
---	--	---	--



Le marquage doit rester clairement visible en permanence
The marking must be clearly visible at all times

d	PHOTO DE LA COMMANDE DE FREINAGE	d	<i>PHOTO OF BRAKE CONTROL CABLE</i>
 <p data-bbox="300 678 1315 735">La commande de freinage doit être isolée du châssis et montrer la double commande <i>The brake control must be separated from chassis and show the double linkage</i></p>			

FICHE D'HOMOLOGATION HOMOLOGATION FORM



COMMISSION INTERNATIONALE DE KARTING - FIA



CADRE DU CHÂSSIS / CHASSIS FRAME

Constructeur	<i>Manufacturer</i>	SKM di Sguerzoni Mirko
Marque	<i>Make</i>	ITALKART
Modèle	<i>Model</i>	SUPERSONIC
Catégorie	<i>Category</i>	ICAJ – ICA – ICC – SICC - ICE
Durée de l'homologation	<i>Validity of the homologation</i>	6 ans / years
Nombre de pages	<i>Number of pages</i>	3

La présente Fiche d'Homologation reproduit descriptions, illustrations et dimensions du cadre du châssis au moment de l'homologation CIK-FIA. Le Constructeur a la possibilité de les modifier, mais seulement dans les limites fixées par le Règlement CIK-FIA en vigueur.

This Homologation Form reproduces descriptions, illustrations and dimensions of the chassis frame at the moment of the CIK-FIA homologation. The Manufacturer may modify them, but only within the limits set by the CIK-FIA Regulations in force.

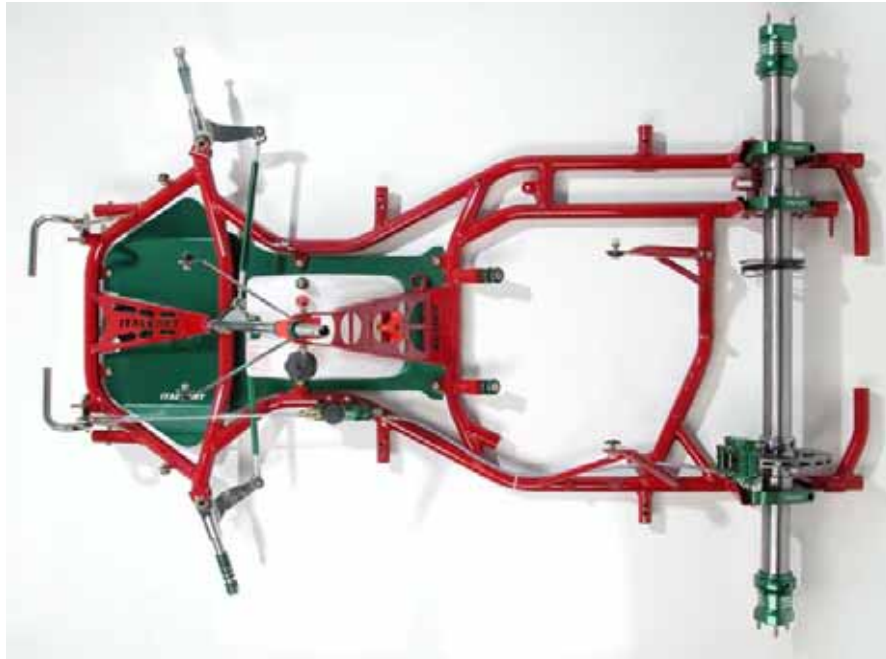

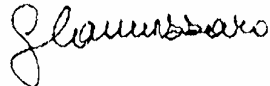

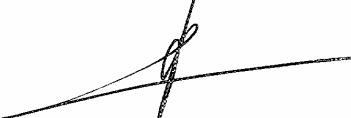
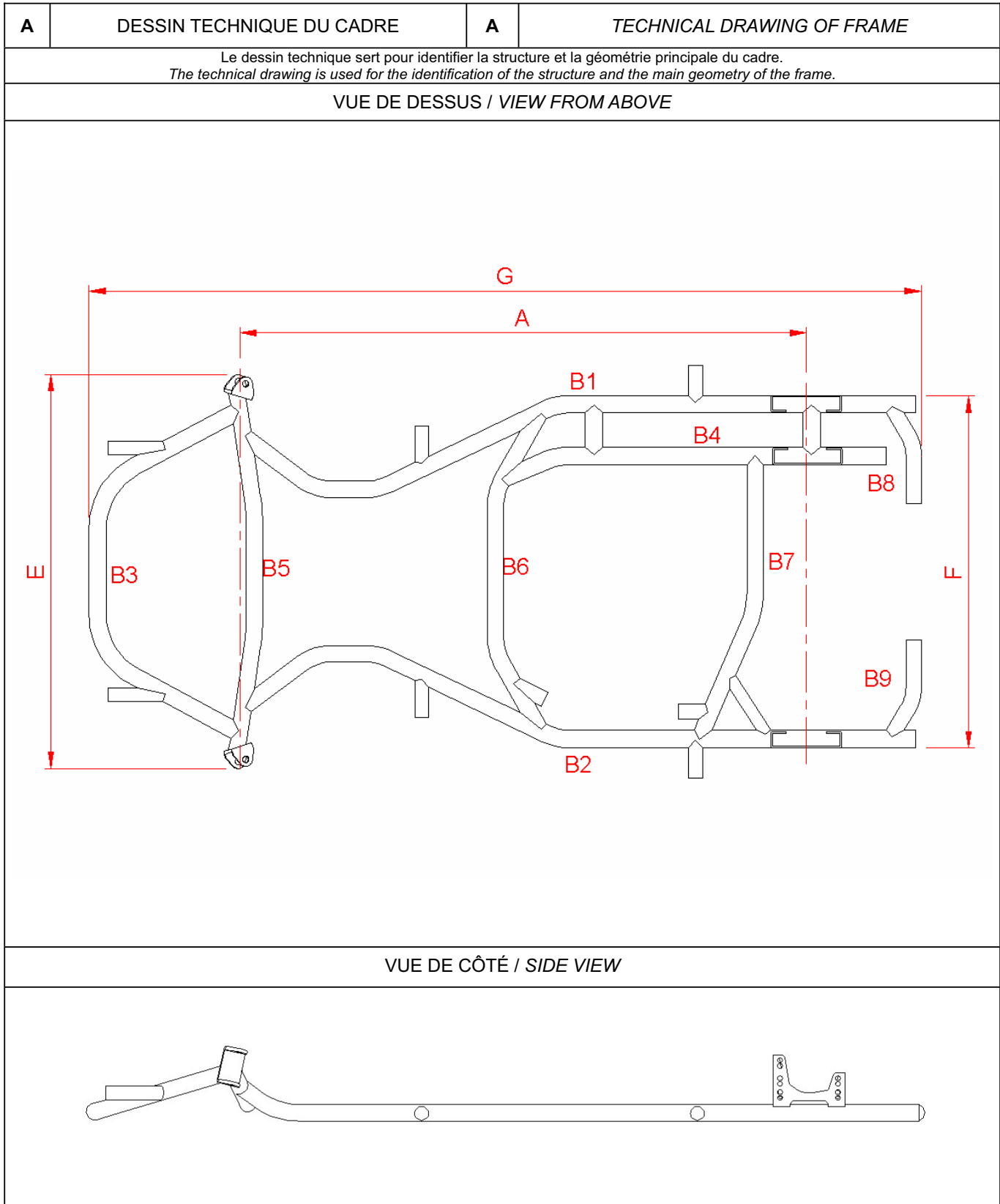
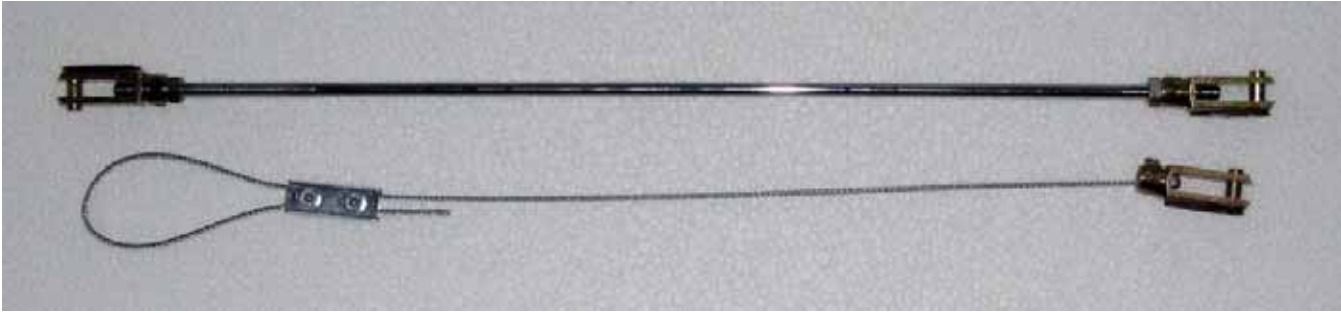


PHOTO VUE DE DESSUS DU CHÂSSIS COMPLET IDENTIQUE À L'UN DES MODÈLES PRÉSENTÉS À L'HOMOLOGATION SANS PARE-CHOCS, CARROSSERIE NI PNEUMATIQUES
PHOTO FROM ABOVE OF COMPLETE CHASSIS IDENTICAL TO ONE OF THE MODELS SUBMITTED FOR HOMOLOGATION WITHOUT BUMPERS, BODYWORK OR TYRES

Signature et tampon de l'ASN <i>Signature and stamp of the ASN</i>	Signature et tampon de la CIK-FIA <i>Signature and stamp of the CIK-FIA</i>
 	 



B	COTES	B	DIMENSIONS	
1. Cadre	1. Frame		Données	Tolérances
			Data	Tolerances
A= Empattement mesures fixes	A= Wheel base fixed measurements		1054	+/- 5mm
B= Tubes principaux de la structure, diamètre minimum 21mm, d'une longueur supérieure à 150mm, à l'exclusion des tubes inférieurs d'un diamètre de 21mm et tous les supports pour les accessoires.	B= Main tube of the structure, minimum diameter of 21mm, length over 150mm, except lower tubes with a diameter of 21mm and all the supports for the accessories.		1) Ø 32 2) Ø 32 3) Ø 30 4) Ø 32 5) Ø 30 6) Ø 30 7) Ø 30 8) Ø 28 9) Ø 28 10)	+/- 0.5mm +/- 0.5mm +/- 0.5mm +/- 0.5mm +/- 0.5mm +/- 0.5mm +/- 0.5mm +/- 0.5mm +/- 0.5mm +/- 0.5mm
C = Nombre de courbes dans les tubes de Ø supérieur à 21mm	C = Number of bends on the tubes with Ø 21mm.		16	—
D = Nombre de tubes ayant un Ø supérieur à 21mm	D = Number of tubes with a diameter over 21mm		9	—
E = Largeur avant extérieure	E = Outer front width		718	+/- 10mm
F = Largeur arrière extérieure	F = Outer rear width		640	+/- 10mm
G = Longueur hors tout extérieure	G = Maximum outer overall length		1520	+/- 10mm
<p>Remarque / Remark: Dans les points B, C et D, seuls les tubes principaux d'une longueur supérieure à 150 mm sont à prendre en considération à l'exclusion tous les supports pour accessoires. <i>In points B, C and D, only the main tubes of a length of more than 150 mm are to be taken into consideration, excluding all supports for accessories.</i></p>				

C	PHOTO DE LA COMMANDE DE FREINAGE	C	PHOTO OF BRAKE CONTROL CABLE
			

FICHE D'HOMOLOGATION HOMOLOGATION FORM



COMMISSION INTERNATIONALE DE KARTING - FIA



CADRE DU CHÂSSIS / CHASSIS FRAME

Constructeur	<i>Manufacturer</i>	SKM di Sguerzoni Mirko
Marque	<i>Make</i>	ITALKART
Modèle	<i>Model</i>	RAPIDO
Catégorie	<i>Category</i>	ICAJ – ICA – ICC – SICC - ICE
Durée de l'homologation	<i>Validity of the homologation</i>	6 ans / years
Nombre de pages	<i>Number of pages</i>	3

La présente Fiche d'Homologation reproduit descriptions, illustrations et dimensions du cadre du châssis au moment de l'homologation CIK-FIA. Le Constructeur a la possibilité de les modifier, mais seulement dans les limites fixées par le Règlement CIK-FIA en vigueur.

This Homologation Form reproduces descriptions, illustrations and dimensions of the chassis frame at the moment of the CIK-FIA homologation. The Manufacturer may modify them, but only within the limits set by the CIK-FIA Regulations in force.

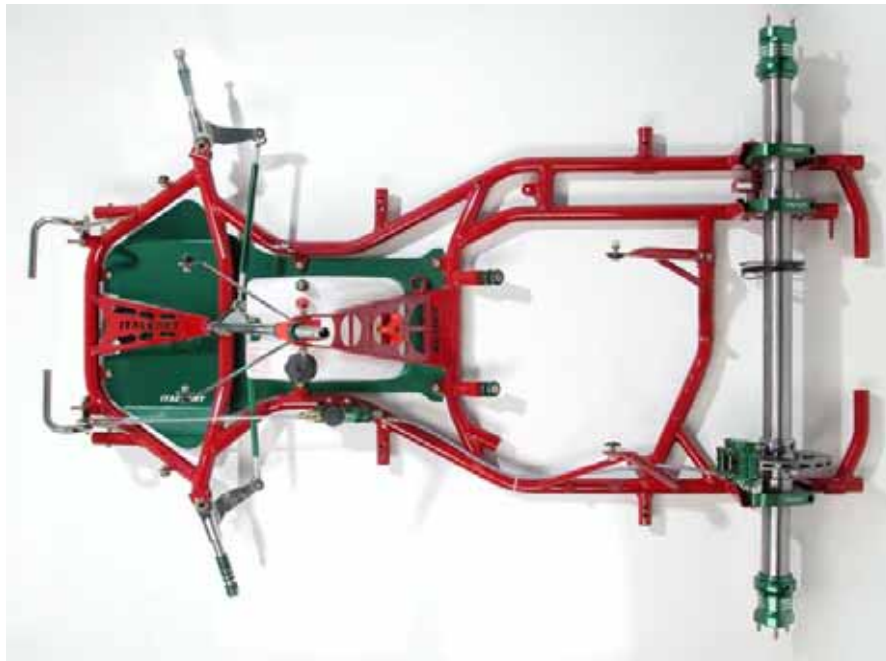

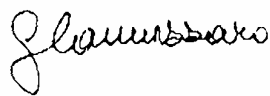

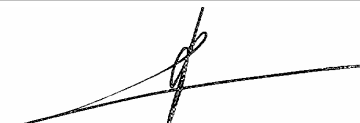
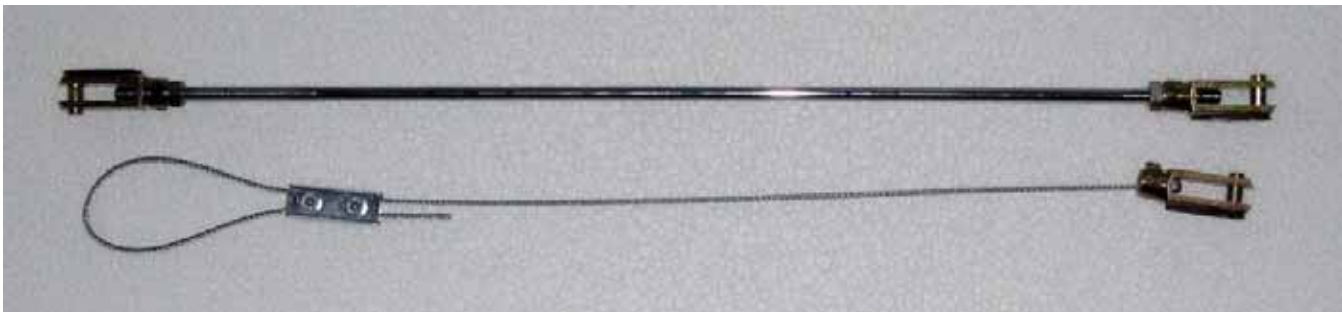


PHOTO VUE DE DESSUS DU CHÂSSIS COMPLET IDENTIQUE À L'UN DES MODÈLES PRÉSENTÉS À L'HOMOLOGATION SANS PARE-CHOCS, CARROSSERIE NI PNEUMATIQUES
PHOTO FROM ABOVE OF COMPLETE CHASSIS IDENTICAL TO ONE OF THE MODELS SUBMITTED FOR HOMOLOGATION WITHOUT BUMPERS, BODYWORK OR TYRES

Signature et tampon de l'ASN <i>Signature and stamp of the ASN</i>	Signature et tampon de la CIK-FIA <i>Signature and stamp of the CIK-FIA</i>
 	 

A	DESSIN TECHNIQUE DU CADRE	A	TECHNICAL DRAWING OF FRAME
<p>Le dessin technique sert pour identifier la structure et la géométrie principale du cadre. <i>The technical drawing is used for the identification of the structure and the main geometry of the frame.</i></p>			
<p>VUE DE DESSUS / VIEW FROM ABOVE</p>			
<p>VUE DE CÔTÉ / SIDE VIEW</p>			

B	COTES	B	DIMENSIONS	
1. Cadre	1. Frame		Données	Tolérances
			Data	Tolerances
A= Empattement mesures fixes	A= Wheel base fixed measurements		1054	+/- 5mm
B= Tubes principaux de la structure, diamètre minimum 21mm, d'une longueur supérieure à 150mm, à l'exclusion des tubes inférieurs d'un diamètre de 21mm et tous les supports pour les accessoires.	B= Main tube of the structure, minimum diameter of 21mm, length over 150mm, except lower tubes with a diameter of 21mm and all the supports for the accessories.		1) Ø 30 2) Ø 30 3) Ø 30 4) Ø 30 5) Ø 30 6) Ø 30 7) Ø 30 8) Ø 28 9) Ø 28 10)	+/- 0.5mm +/- 0.5mm +/- 0.5mm +/- 0.5mm +/- 0.5mm +/- 0.5mm +/- 0.5mm +/- 0.5mm +/- 0.5mm +/- 0.5mm
C = Nombre de courbes dans les tubes de Ø supérieur à 21mm	C = Number of bends on the tubes with Ø 21mm.		16	—
D = Nombre de tubes ayant un Ø supérieur à 21mm	D = Number of tubes with a diameter over 21mm		9	—
E = Largeur avant extérieure	E = Outer front width		718	+/- 10mm
F = Largeur arrière extérieure	F = Outer rear width		640	+/- 10mm
G = Longueur hors tout extérieure	G = Maximum outer overall length		1520	+/- 10mm
Remarque / Remark: Dans les points B, C et D, seuls les tubes principaux d'une longueur supérieure à 150 mm sont à prendre en considération à l'exclusion tous les supports pour accessoires. <i>In points B, C and D, only the main tubes of a length of more than 150 mm are to be taken into consideration, excluding all supports for accessories.</i>				

C	PHOTO DE LA COMMANDE DE FREINAGE	C	PHOTO OF BRAKE CONTROL CABLE
			

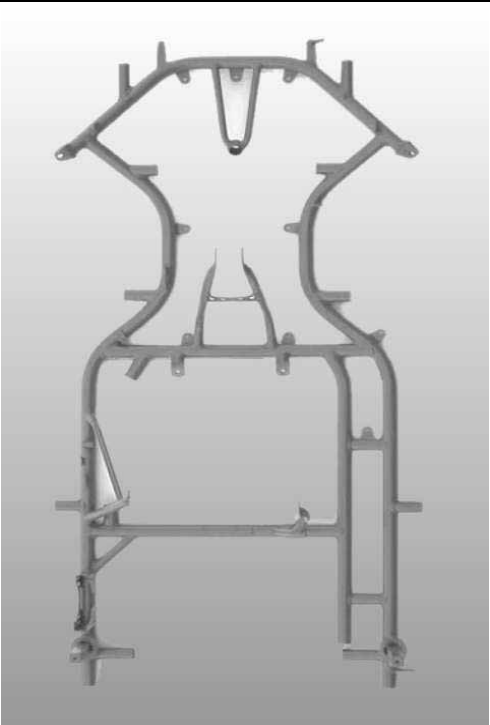

BRP-ROTAX CHASSIS APPROVAL FORM



Manufacturer	ITALKART
Chassis model	DD2
Category	ROTAX MAX Challenge, 125 MAX DD2 class
Validity of approval	without limitation
Date of approval by BRP-ROTAX	2007 06 01

Technical definition of the frame
Built according to CIK regulations for short circuits karts

Technical definition of the components of the chassis	
Brake system:	Designed according to CIK rules for shifter classes. A brake system with a valid CIK Homologation must be used.
Bodywork:	Designed according to CIK rules for short circuit karts. A bodywork with a valid CIK Homologation must be used.
Rear Tire Protection System:	For the participation at national or international ROTAX MAX Challenge race, the ROTAX Rear Tire Protection System must be used.

	
Photo from above of the frame (without any mounted part)	Photo of the identification plate of the frame with the name of the chassis model.

Technical description	Dimensions	Tolerance
Outer diameter of the main tubes (without painting)	30 mm	+/- 0,5 mm
Rear width of main tubes (center line to center line)	610 mm	+/- 5,0 mm
Distance of the rear two main tubes on the right side (center line to center line)	92 mm	+/- 0,5 mm
Wheelbase	1040 mm	+/- 5,0 mm

Technical description	Figure
Number of adjustable/removeable stabilizers at the frame	3

BRP-ROTAX CHASSIS APPROVAL FORM

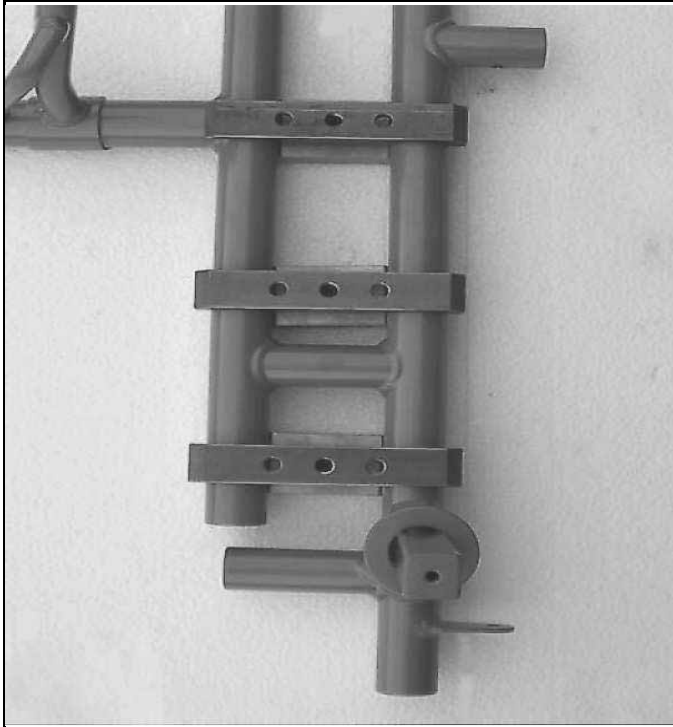


Photo from above of the frame with the section of the engine mount

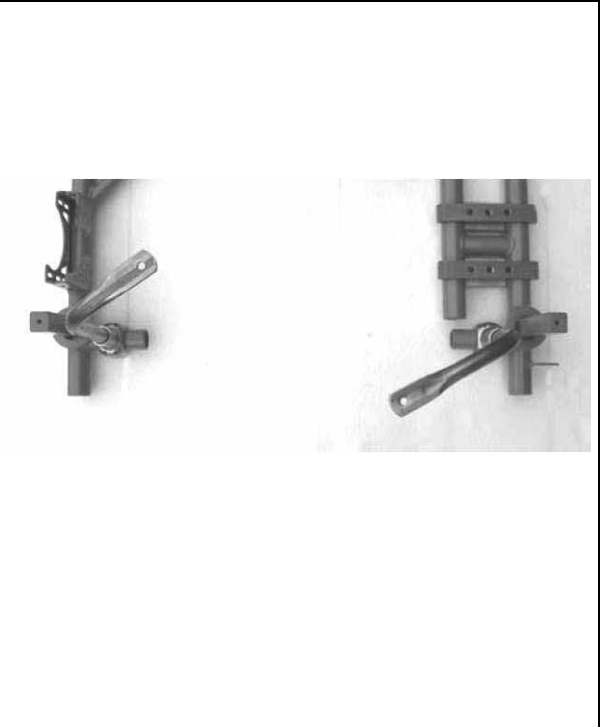


Photo from above of the frame with the section of the two supports for the exhaust system

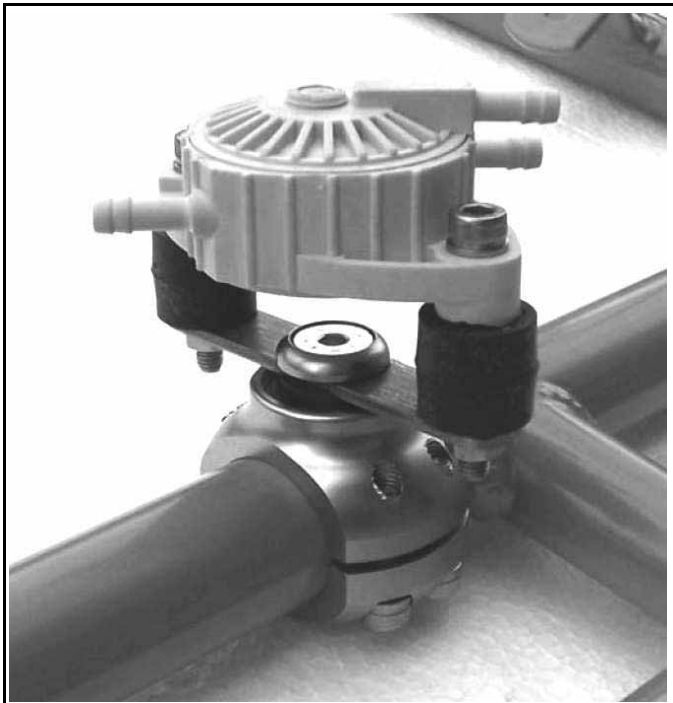


Foto of the frame with the section of the support for the fuel pump (fuel pump mounted)

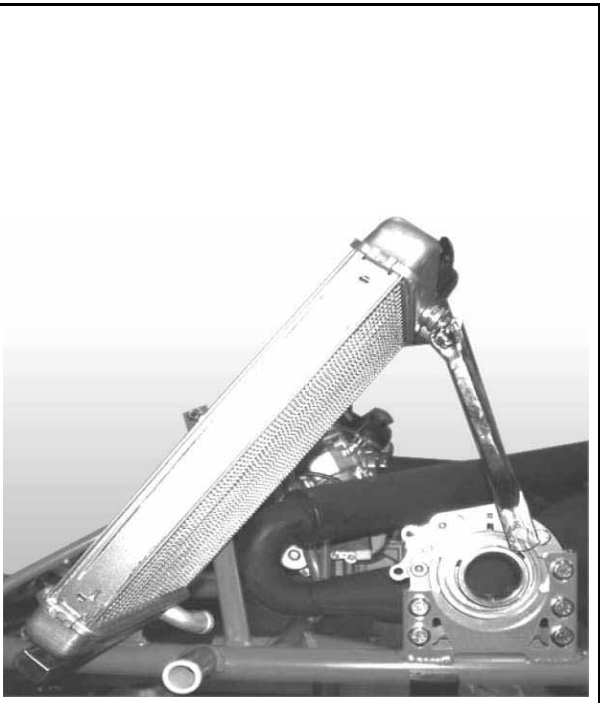


Foto of the frame from the side with the section of the supports for the radiator (radiator mounted)

BRP-ROTAX CHASSIS APPROVAL FORM

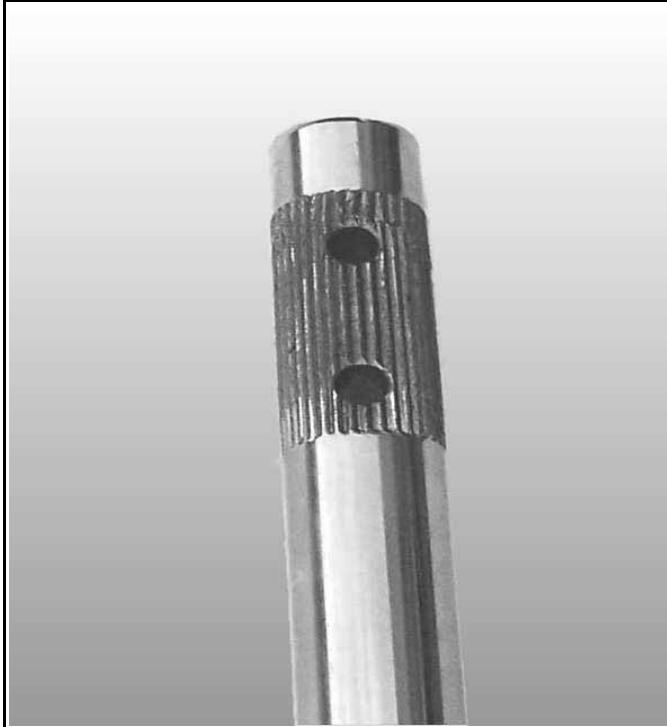


Photo from the steering column with the section with the knurling for the steering wheel hub (knurling according to DIN 82 - RAA1).

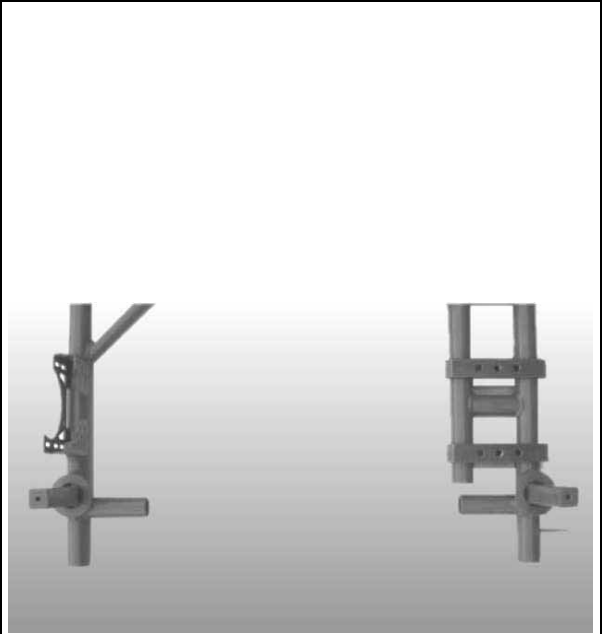


Photo from above of the frame with the section of the two supports for the RTPS (Rear Tire Protection System)

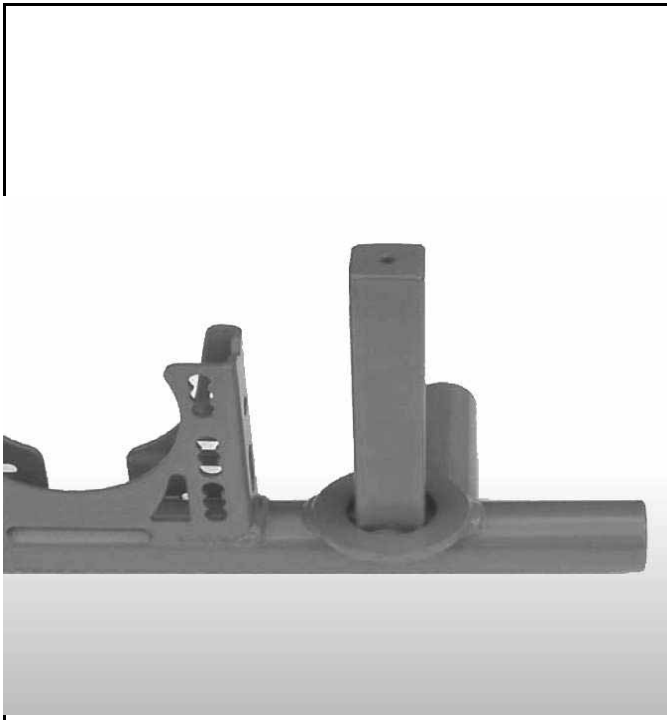


Photo of the frame from the side with the section of the support for the RTPS (Rear Tire Protection System)



Photo of the frame from the back with the section of the support for the RTPS (Rear Tire Protection System)

FICHE D'HOMOLOGATION HOMOLOGATION FORM



COMMISSION INTERNATIONALE DE KARTING - FIA



SYSTÈME DE FREINAGE / BRAKING SYSTEM

Constructeur	<i>Manufacturer</i>	SKM di Sguerzoni Mirko
Marque	<i>Make</i>	SKM
Modèle	<i>Model</i>	EVO 4
Catégorie	<i>Category</i>	TOUTES / ALL
Durée de l'homologation	<i>Validity of the homologation</i>	6 ans / years
Nombre de pages	<i>Number of pages</i>	3
La présente Fiche d'Homologation reproduit descriptions, illustrations et dimensions du système de freinage au moment de l'homologation CIK-FIA. Le Constructeur a la possibilité de les modifier, mais seulement dans les limites fixées par le Règlement CIK-FIA en vigueur.		<i>This Homologation Form reproduces descriptions, illustrations and dimensions of the brake system at the moment of the CIK-FIA homologation. The Manufacturer may modify them, but only within the limits set by the CIK-FIA Regulations in force.</i>

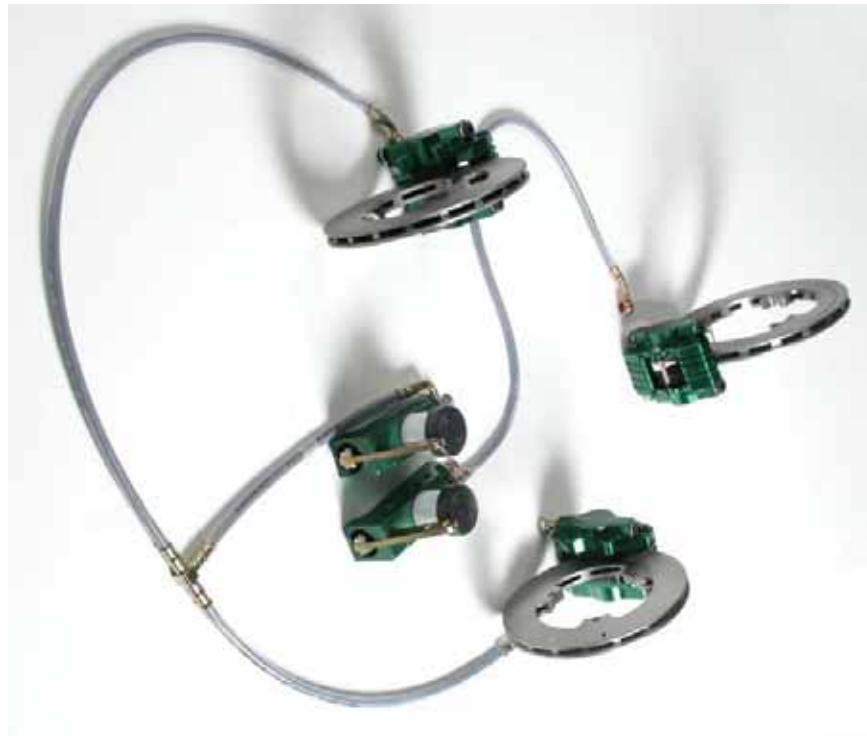

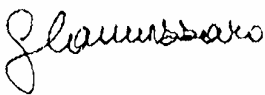

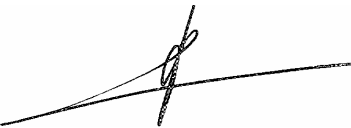
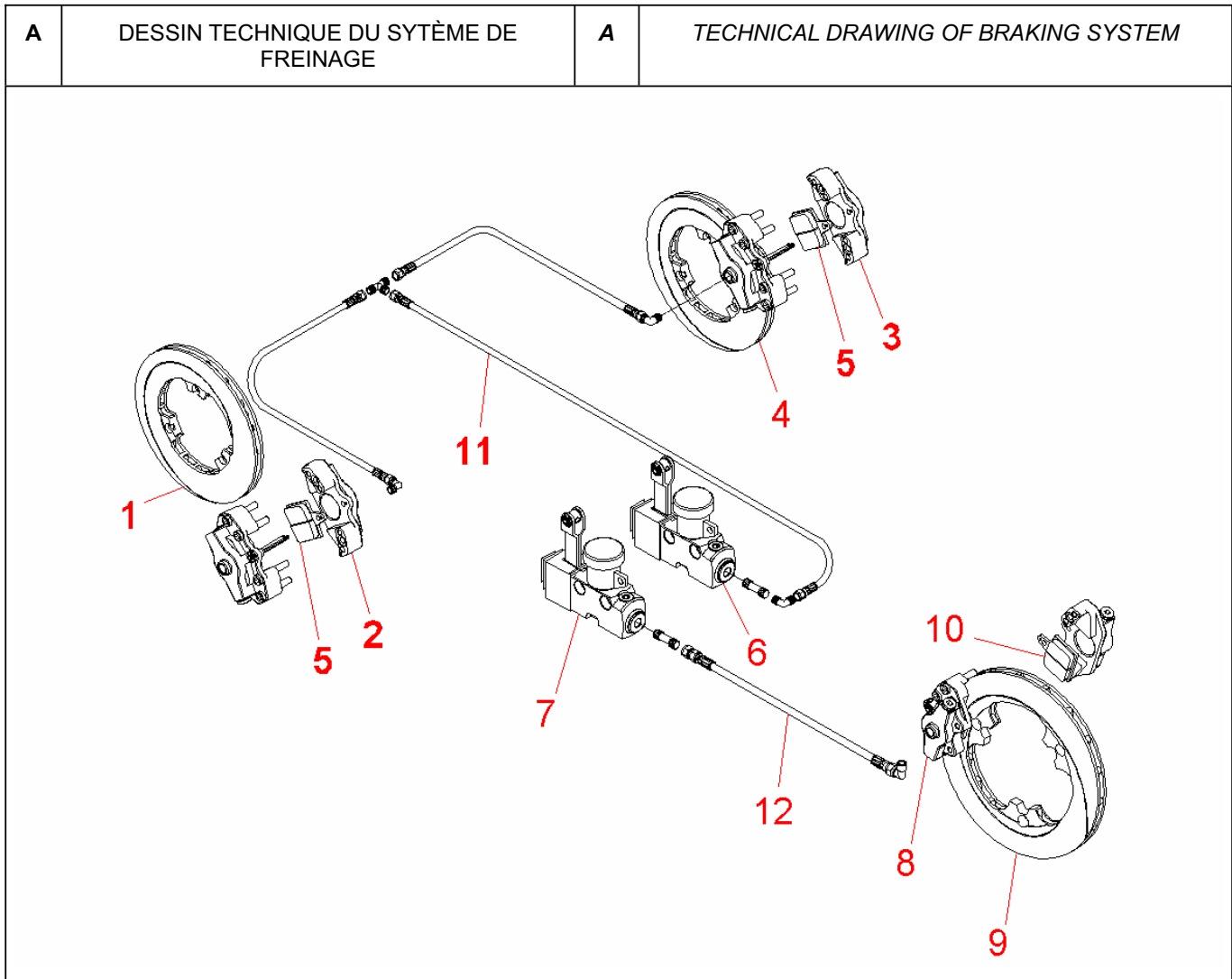


PHOTO VUE DE DESSUS DU SYSTÈME COMPLET
PHOTO FROM ABOVE OF COMPLETE SYSTEM

Signature et tampon de l'ASN <i>Signature and stamp of the ASN</i>	Signature et tampon de la CIK-FIA <i>Signature and stamp of the CIK-FIA</i>
 	 



N°	DÉSIGNATION	DESIGNATION	PIÈCE / PARTS N°
1	Disque de frein AV gauche ventilé	Left front self ventilated brake disk	DF021SX
2	Etrier de frein AV gauche	Left front brake caliper	FR104SX
3	Etrier de frein AV droite	Right front brake caliper	FR104DX
4	Disque de frein AV droite ventilé	Right front self ventilated brake disk	DF021DX
5	Plaquettes de frein AV	Front brake pads	PF062
6	Pompe de frein AV	Front brake pump	FR105
7	Pompe de frein AR	Rear brake pump	FR105
8	Etrier de frein AR	Rear brake caliper	FR104
9	Disque de frein AR ventilé	Rear self ventilated brake disk	DF022
10	Plaquettes de frein AR	Rear brake pads	PF062
11	Kit complet boyaux de frein AV	Front brake pipes Kit	KTAEVO4
12	Kit complet boyau de frein AR	Rear brake pipe Kit	KTPEVO4

B	DESCRIPTION TECHNIQUE DU SYTÈME DE FREINAGE	B	TECHNICAL DESCRIPTION OF BRAKING SYSTEM		
	Régulateur de freinage <i>Braking regulator</i>	<input type="checkbox"/> oui / yes	<input checked="" type="checkbox"/> non / no	Emplacement <i>Location</i>	
	Avant / Front		Arrière / Rear		
Nombre de maîtres-cylindres <i>Number of master cylinders</i>	1		1		
Alésage <i>Bore</i>	19 mm		19 mm		
Nombre de pistons <i>Number of pistons</i>	2		Par roue <i>Per wheel</i>	2	
Alésage <i>Bore</i>	26 mm			26 mm	
Nombre de plaquettes <i>Number of pads</i>	2		Par roue <i>Per wheel</i>	2	
Nombre d'étriers <i>Number of calipers</i>	1		Par roue <i>Per wheel</i>	1	
Matériau des étriers <i>Caliper material</i>	Aluminium			Aluminium	
Disques ventilés <i>Ventilated discs</i>	<input checked="" type="checkbox"/> oui / yes		<input type="checkbox"/> non / no	<input checked="" type="checkbox"/> oui / yes	<input type="checkbox"/> non / no
Épaisseur du disque neuf <i>Thickness of new disc</i>	11 mm		+/- 1 mm	12.5 mm	+/- 1 mm
Ø extérieur du disque <i>External Ø of the disc</i>	159 mm		+/- 1.5 mm	189 mm	+/- 1.5 mm
Ø extérieur de frottement des plaquettes <i>External Ø of pads rubbing surface</i>	159 mm		+/- 1.5 mm	189 mm	+/- 1.5 mm
Ø intérieur de frottement des plaquettes <i>Internal Ø of pads rubbing surface</i>	104 mm		+/- 1.5 mm	133 mm	+/- 1.5 mm
Longueur hors-tout des plaquettes <i>Overall length of the pads</i>	37 mm		+/- 1.5 mm	37 mm	+/- 1.5 mm
Photo du frein avant <i>Photo of front brake</i>		Photo du frein arrière <i>Photo of rear brake</i>			
					

FICHE D'HOMOLOGATION HOMOLOGATION FORM



COMMISSION INTERNATIONALE DE KARTING - FIA


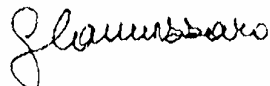

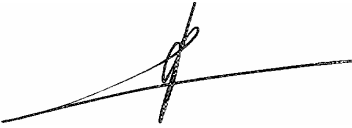


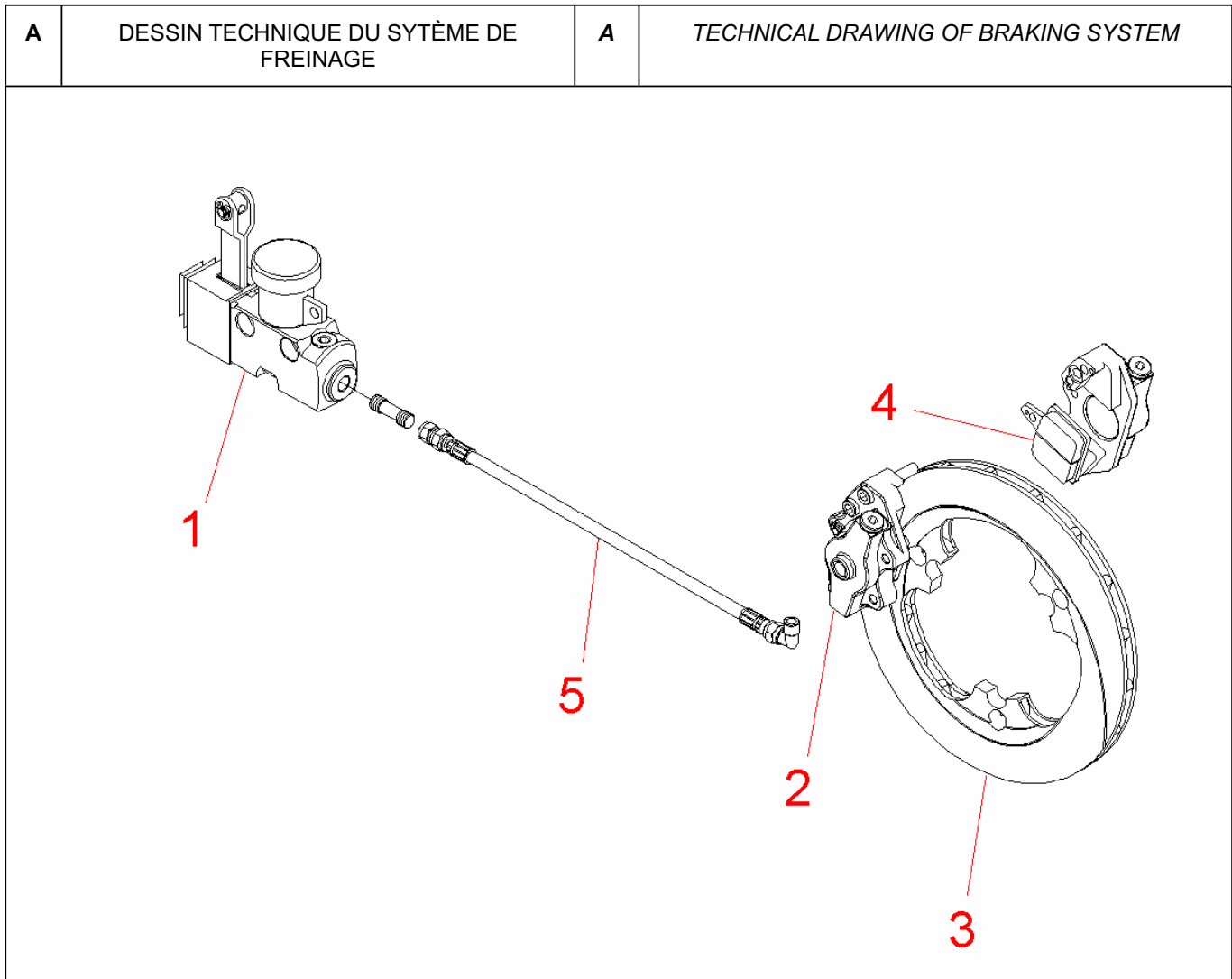
SYSTÈME DE FREINAGE / BRAKING SYSTEM

Constructeur	<i>Manufacturer</i>	SKM di Sguerzoni Mirko
Marque	<i>Make</i>	SKM
Modèle	<i>Model</i>	EVO 4
Catégorie	<i>Category</i>	SANS BOITE DE VITESSES/ NON-GEARBOX
Durée de l'homologation	<i>Validity of the homologation</i>	6 ans / years
Nombre de pages	<i>Number of pages</i>	3
La présente Fiche d'Homologation reproduit descriptions, illustrations et dimensions du système de freinage au moment de l'homologation CIK-FIA. Le Constructeur a la possibilité de les modifier, mais seulement dans les limites fixées par le Règlement CIK-FIA en vigueur.		<i>This Homologation Form reproduces descriptions, illustrations and dimensions of the brake system at the moment of the CIK-FIA homologation. The Manufacturer may modify them, but only within the limits set by the CIK-FIA Regulations in force.</i>



PHOTO VUE DE DESSUS DU SYSTÈME COMPLET
PHOTO FROM ABOVE OF COMPLETE SYSTEM

Signature et tampon de l'ASN <i>Signature and stamp of the ASN</i>	Signature et tampon de la CIK-FIA <i>Signature and stamp of the CIK-FIA</i>
 	 



N°	DÉSIGNATION	DESIGNATION	PIÈCE / PARTS N°
1	Pompe de frein AR	Rear brake pump	FR105
2	Etrier de frein AR	Rear brake caliper	FR104
3	Disque de frein AR ventilé	Rear self ventilated brake disk	DF022
4	Plaquettes de frein AR	Rear brake pads	PF062
5	Kit complet boyau de frein AR	Rear brake pipe Kit	KTPEVO4

B	DESCRIPTION TECHNIQUE DU SYTÈME DE FREINAGE	B	TECHNICAL DESCRIPTION OF BRAKING SYSTEM		
	Régulateur de freinage <i>Braking regulator</i>	<input type="checkbox"/> oui / yes	<input checked="" type="checkbox"/> non / no	Emplacement <i>Location</i>	
	Avant / Front		Arrière / Rear		
	Nombre de maîtres-cylindres <i>Number of master cylinders</i>	_____		1	
	Alésage <i>Bore</i>	_____ mm		19 mm	
	Nombre de pistons <i>Number of pistons</i>	_____	Par roue <i>Per wheel</i>	2	
	Alésage <i>Bore</i>	_____ mm		26 mm	
	Nombre de plaquettes <i>Number of pads</i>	_____	Par roue <i>Per wheel</i>	2	
	Nombre d'étriers <i>Number of calipers</i>	_____	Par roue <i>Per wheel</i>	1	
	Matériau des étriers <i>Caliper material</i>	_____		Aluminium	
	Disques ventilés <i>Ventilated discs</i>	<input type="checkbox"/> oui / yes	<input type="checkbox"/> non / no	<input checked="" type="checkbox"/> oui / yes	<input type="checkbox"/> non / no
	Épaisseur du disque neuf <i>Thickness of new disc</i>	_____ mm	+/- 1 mm	12.5 mm	+/- 1 mm
	Ø extérieur du disque <i>External Ø of the disc</i>	_____ mm	+/- 1.5 mm	189 mm	+/- 1.5 mm
	Ø extérieur de frottement des plaquettes <i>External Ø of pads rubbing surface</i>	_____ mm	+/- 1.5 mm	189 mm	+/- 1.5 mm
	Ø intérieur de frottement des plaquettes <i>Internal Ø of pads rubbing surface</i>	_____ mm	+/- 1.5 mm	133 mm	+/- 1.5 mm
	Longueur hors-tout des plaquettes <i>Overall length of the pads</i>	_____ mm	+/- 1.5 mm	37 mm	+/- 1.5 mm
	Photo du frein avant Photo of front brake				
					

FICHE D'HOMOLOGATION HOMOLOGATION FORM

91/FR/11



COMMISSION INTERNATIONALE DE KARTING - FIA



SYSTÈME DE FREINAGE / BRAKING SYSTEM

Constructeur	<i>Manufacturer</i>	SKM di Sguerzoni Mirko
Marque	<i>Make</i>	SKM
Modèle	<i>Model</i>	EVO 10
Catégorie	<i>Category</i>	TOUTES/ALL CATEGORIES
Durée de l'homologation	<i>Validity of the homologation</i>	6 ans / years
Nombre de pages	<i>Number of pages</i>	4

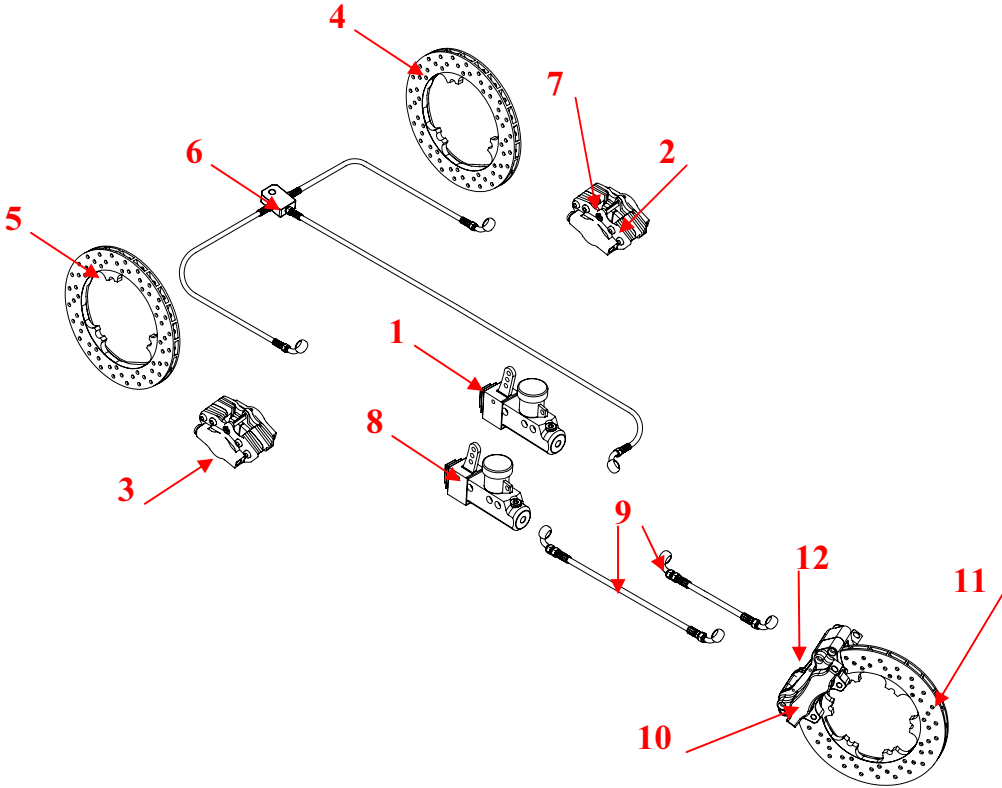
La présente Fiche d'Homologation reproduit descriptions, illustrations et dimensions du système de freinage au moment de l'homologation CIK-FIA. Le Constructeur a la possibilité de les modifier, mais seulement dans les limites fixées par le Règlement CIK-FIA en vigueur.

This Homologation Form reproduces descriptions, illustrations and dimensions of the brake system at the moment of the CIK-FIA homologation. The Manufacturer may modify them, but only within the limits set by the CIK-FIA Regulations in force.



PHOTO VUE DE DESSUS DU SYSTÈME COMPLET
PHOTO FROM ABOVE OF COMPLETE SYSTEM

Signature et tampon de l'ASN <i>Signature and stamp of the ASN</i>	Signature et tampon de la CIK-FIA <i>Signature and stamp of the CIK-FIA</i>

A	DESSIN TECHNIQUE DU SYTÈME DE FREINAGE	A	TECHNICAL DRAWING OF BRAKING SYSTEM
 <p data-bbox="240 1213 1377 1270">Le dessin technique doit montrer : Maître-cylindre, tuyaux, étriers, plaquettes et disques The technical drawing must show the following: Master-cylinder, lines, calipers, pads and discs</p>			

N°	DÉSIGNATION	DESIGNATION	Référence catalogue
1	MAITRE-CYLINDRE AV.	FRONT MASTER CYLINDER	PF107-06
2	ETRIERS DX	RIGHT CALIPER	FR108DX-05
3	ETRIERS SX	LEFT CALIPER	FR108SX-05
4	DISQUES DX	RIGHT FRONT DISC	DF023DX-05
5	DISQUES SX	LEFT FRONT DISC	DF023SX-05
6	TUYAUX AV.	LINES	FR310-06
7	PLAQUETTES AV.	PADS	PP032-05
8	MAITRE-CYLINDRE AR.	REAR MASTER CYLINDER	PF107-06
9	TUYAUX AR.	LINES	FR303-06
10	ETRIER AR.	CALIPER	FR301-06
11	DISQUE AR.	DISC	DF031-06
12	PLAQUETTES AR.	PADS	PP040-06



B DESCRIPTION TECHNIQUE DU SYTÈME DE FREINAGE		B TECHNICAL DESCRIPTION OF BRAKING SYSTEM		
Régulateur de freinage <i>Braking regulator</i>	<input type="checkbox"/> oui / yes	<input checked="" type="checkbox"/> non / no	Emplacement <i>Location</i>	_____
	Avant / Front		Arrière / Rear	
Nombre de maîtres-cylindres <i>Number of master cylinders</i>	1		1	
Alésage <i>Bore</i>	19 mm		19 mm	
Nombre de pistons <i>Number of pistons</i>	2	Par roue <i>Per wheel</i>	4	
Alésage <i>Bore</i>	26 mm		19 mm	
Nombre de plaquettes <i>Number of pads</i>	2	Par roue <i>Per wheel</i>	2	
Nombre d'étriers <i>Number of calipers</i>	1	Par roue <i>Per wheel</i>	1	
Matériau des étriers <i>Caliper material</i>	Aluminium		Aluminium	
Disques ventilés <i>Ventilated discs</i>	<input checked="" type="checkbox"/> oui / yes	<input type="checkbox"/> non / no	<input checked="" type="checkbox"/> oui / yes	<input type="checkbox"/> non / no
Épaisseur du disque neuf <i>Thickness of new disc</i>	11 mm	+/- 1 mm	13 mm	+/- 1 mm
Ø extérieur du disque <i>External Ø of the disc</i>	158 mm	+/- 1.5 mm	200 mm	+/- 1.5 mm
Ø extérieur de frottement des plaquettes <i>External Ø of pads rubbing surface</i>	158 mm	+/- 1.5 mm	198 mm	+/- 1.5 mm
Ø intérieur de frottement des plaquettes <i>Internal Ø of pads rubbing surface</i>	104 mm	+/- 1.5 mm	138 mm	+/- 1.5 mm
Longueur hors-tout des plaquettes <i>Overall length of the pads</i>	37,2 mm	+/- 1.5 mm	80 mm	+/- 1.5 mm
Photo du frein avant : étriers et disques seulement <i>Photo of front brake: calipers and discs only</i>		Photo du frein arrière : étrier(s) et disque(s) seulement <i>Photo of rear brake: caliper(s) and disc(s) only</i>		
				

PHOTO DU MARQUAGE DU NUMERO D'HOMOLOGATION
 PHOTO OF THE HOMOLOGATION NUMBER MARKING

Le marquage doit rester clairement visible en permanence
The marking must be clearly visible at all times

Maître-cylindre / Master-cylinder



Tuyaux / Lines



Etriers / Calipers



Plaquettes / Pads



Disques / Discs



FICHE D'HOMOLOGATION HOMOLOGATION FORM



COMMISSION INTERNATIONALE DE KARTING - FIA



SYSTÈME DE FREINAGE / BRAKING SYSTEM

Constructeur	<i>Manufacturer</i>	SKM di Sguerzoni Mirko
Marque	<i>Make</i>	SKM
Modèle	<i>Model</i>	EVO 10
Catégorie	<i>Category</i>	SANS BOITE DE VITESSES/ NON GEARBOX
Durée de l'homologation	<i>Validity of the homologation</i>	6 ans / years
Nombre de pages	<i>Number of pages</i>	4

La présente Fiche d'Homologation reproduit descriptions, illustrations et dimensions du système de freinage au moment de l'homologation CIK-FIA. Le Constructeur a la possibilité de les modifier, mais seulement dans les limites fixées par le Règlement CIK-FIA en vigueur.

This Homologation Form reproduces descriptions, illustrations and dimensions of the brake system at the moment of the CIK-FIA homologation. The Manufacturer may modify them, but only within the limits set by the CIK-FIA Regulations in force.

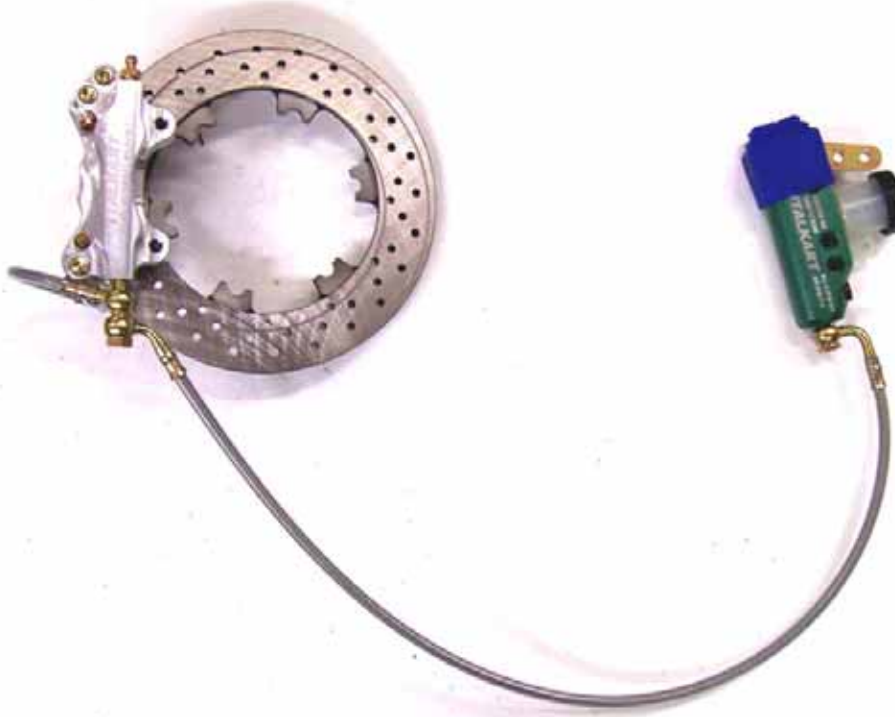

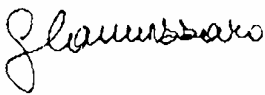

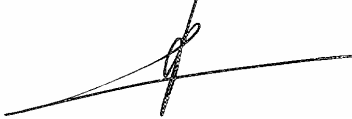
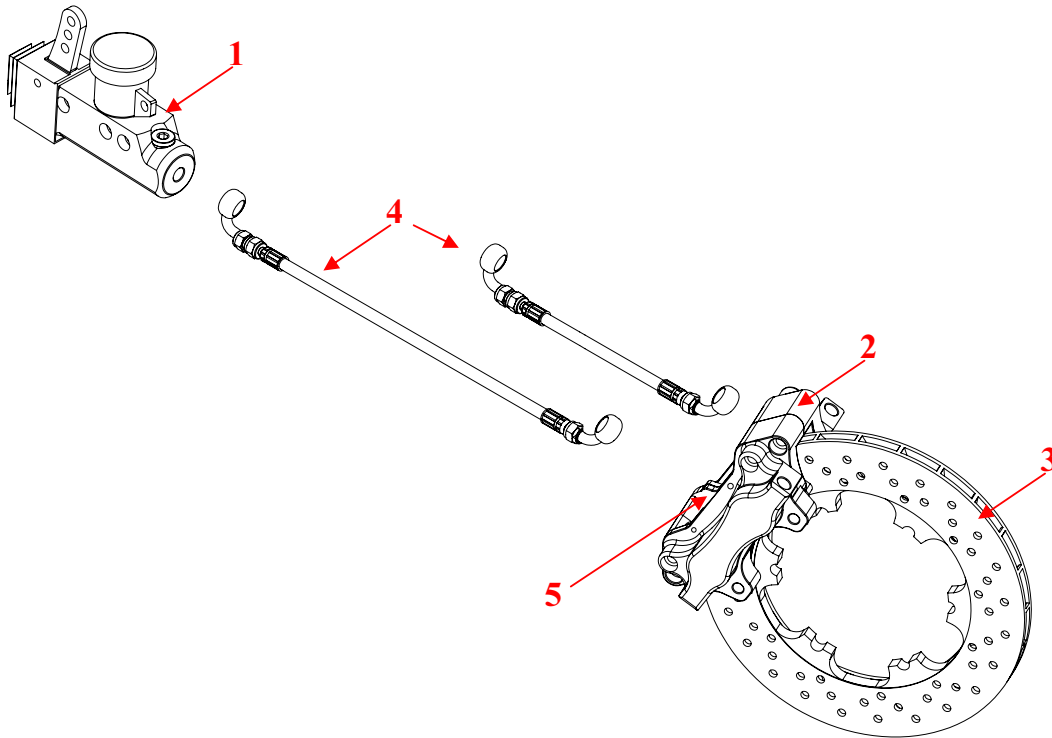


PHOTO VUE DE DESSUS DU SYSTÈME COMPLET
PHOTO FROM ABOVE OF COMPLETE SYSTEM

Signature et tampon de l'ASN <i>Signature and stamp of the ASN</i>	Signature et tampon de la CIK-FIA <i>Signature and stamp of the CIK-FIA</i>
 	 

A	DESSIN TECHNIQUE DU SYTÈME DE FREINAGE	A	TECHNICAL DRAWING OF BRAKING SYSTEM
---	--	---	-------------------------------------



Le dessin technique doit montrer : Maître-cylindre, tuyaux, étriers, plaquettes et disques
The technical drawing must show the following: Master-cylinder, lines, calipers, pads and discs

N°	DÉSIGNATION	DESIGNATION	Référence catalogue
1	MAITRE-CYLINDRE AR.	REAR MASTER CYLINDER	PF107-06
2	ETRIERS AR.	REAR CALIPER	FR301-06
3	DISQUES AR.	REAR DISC	DF031-06
4	TUYAUX AR.	REAR LINES	FR303-06
5	PLAQUETTES AR.	P REAR ADS	PP040-06


B		DESCRIPTION TECHNIQUE DU SYTÈME DE FREINAGE			B		TECHNICAL DESCRIPTION OF BRAKING SYSTEM		
Régulateur de freinage <i>Braking regulator</i>		<input type="checkbox"/> oui / yes		<input checked="" type="checkbox"/> non / no		Emplacement <i>Location</i>		_____	
		Avant / Front			Arrière / Rear				
Nombre de maîtres-cylindres <i>Number of master cylinders</i>		—					1		
Alésage <i>Bore</i>		__ mm					19 mm		
Nombre de pistons <i>Number of pistons</i>		—			Par roue <i>Per wheel</i>		4		
Alésage <i>Bore</i>		__ mm					19X4 mm		
Nombre de plaquettes <i>Number of pads</i>		—			Par roue <i>Per wheel</i>		2		
Nombre d'étriers <i>Number of calipers</i>		—			Par roue <i>Per wheel</i>		1		
Matériau des étriers <i>Caliper material</i>		_____					Aluminium		
Disques ventilés <i>Ventilated discs</i>		<input type="checkbox"/> oui / yes		<input type="checkbox"/> non / no		<input checked="" type="checkbox"/> oui / yes		<input type="checkbox"/> non / no	
Épaisseur du disque neuf <i>Thickness of new disc</i>		__ mm			+/- 1 mm		13 mm		+/- 1 mm
Ø extérieur du disque <i>External Ø of the disc</i>		__ mm			+/- 1.5 mm		200 mm		+/- 1.5 mm
Ø extérieur de frottement des plaquettes <i>External Ø of pads rubbing surface</i>		__ mm			+/- 1.5 mm		198 mm		+/- 1.5 mm
Ø intérieur de frottement des plaquettes <i>Internal Ø of pads rubbing surface</i>		__ mm			+/- 1.5 mm		138 mm		+/- 1.5 mm
Longueur hors-tout des plaquettes <i>Overall length of the pads</i>		__ mm			+/- 1.5 mm		80 mm		+/- 1.5 mm
Photo du frein avant : étriers et disques seulement <i>Photo of front brake: calipers and discs only</i>					Photo du frein arrière : étrier(s) et disque(s) seulement <i>Photo of rear brake: caliper(s) and disc(s) only</i>				
									

PHOTO DU MARQUAGE DU NUMERO D'HOMOLOGATION
 PHOTO OF THE HOMOLOGATION NUMBER MARKING

Le marquage doit rester clairement visible en permanence
The marking must be clearly visible at all times

Maître-cylindre / Master-cylinder



Tuyaux / Lines



Etriers / Calipers



Plaquettes / Pads



Disques / Discs

